

| ITEM | QTY | CODE | DESCRIPTION |
|------|-----|----------------|--|
| 1 | 2 | C-CAP2AL | ALUMINUM CAP FOR 2" SQUARE POSTS - SP |
| 2 | 4 | C-CPENDF2K | UNIVERSAL ANGLE BRACKET KIT 2" SPECIAL COLOR |
| 3 | 2 | C-OM4848PT | ARCHITECTURAL OMEGA PANEL 49" H X 41-1/2" L FOR 4' PLANTER - PAINTED |
| 4 | 2 | C-PTCBR | PANEL SUPPORT ASSEMBLY |
| 5 | 4 | C-PTFPLGV | FIXATION PLATE - HOT DIPPED GALVANIZED |
| 6 | 2 | C-PTPBR | POST BRACKET FOR PLANTER - PREGALVANIZED AND PAINTED |
| 7 | 2 | C-PTPFECO4 | POST WITH BASEPLATE FOR ECO PLANTER - PREGALVANIZED AND PAINTED |
| 8 | 4 | VB-B5_16X1TAMP | TORX BOLT 5/16"-18 X 1" L. - STAINLESS |
| 9 | 8 | VB-BC3_8X2GV | SQUARE-NECK CARRIAGE BOLT 3/8" - 2" ZINC PLATED |
| 10 | 8 | VB-N3_8GV | NUT 3/8"-16 GALVANIZED |
| 11 | 4 | VB-W5_16GV | WASHER 5/16" GALVANIZED |

Omega II Fence System
1735 St-Elzéar Ouest, Laval, Québec, Canada, H7L 3N6
Tél: 800-836-6342
Website / Site internet: www.omegatwo.com

SYSTÈMES DE CLÔTURES
Omega II
FENCE SYSTEMS

| PART CODE | VARIANT | FINISH DESCRIPTION / COLOR |
|---------------|---------|---------------------------------|
| C-PTECO4X2KBK | BK | BLACK RAL9004 (30% GLOSS) |
| C-PTECO4X2KGV | GV | HOT-DIP GALVANIZED |
| C-PTECO4X2KSP | SP | SPECIAL COLOR (DEFINE IN ORDER) |

For product information's, please refer to:
Pour des informations sur les produits, se référer:

CODE: C-PTECO4X2K REV.: CLIENT

DESCRIPTION:
KIT POUR PLANTER 4' X 2' ECO
ECO KIT FOR 4' X 2' PLANTER

DESSINÉ PAR: HBARBERO VÉRIFIÉ PAR:

ÉCHELLE: 1:17 FORMAT: B DATE: 2024-02-01 PAGE: 1/2

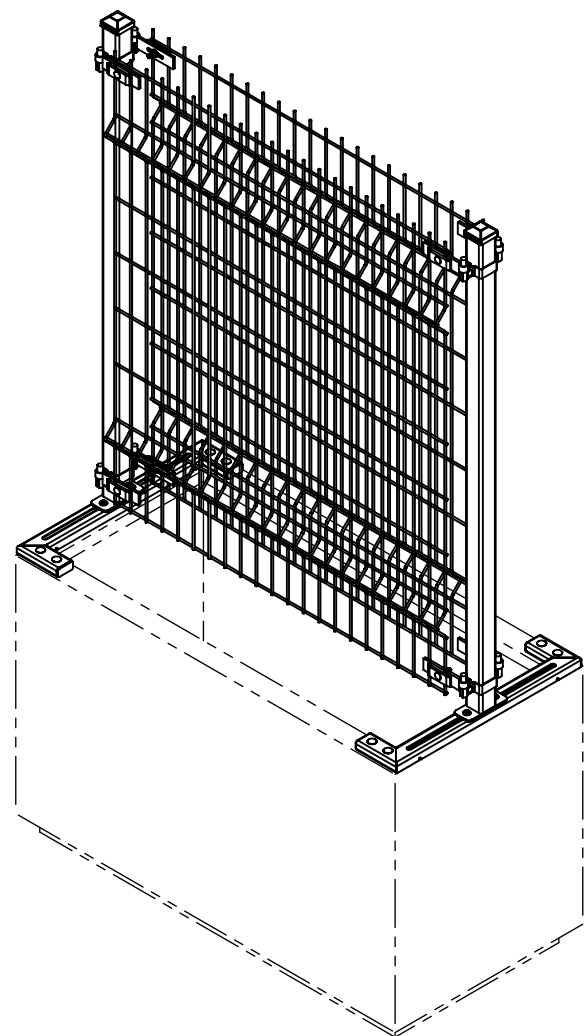
SURFACE FINISH / FINI DE SURFACE: HOT DIP GALVANIZED OR / OU PAINTED/PEINTURÉ
 IF PAINTED, SPECIFY COLOR / SI PENTURÉ, SPÉCIFIER COULEUR: _____
 APPROVAL / APPROBATION: _____

L'INFORMATION CONTENUE DANS CE PLAN SONT LA PROPRIÉTÉ EXCLUSIVE DE METALTECH-OMEGA INC. TOUTE REPRODUCTION COMPLÈTE OU PARTIELLE SANS L'AUTORISATION ÉCRITE DE METALTECH-OMEGA INC EST INTERDITE.
 THE INFORMATION FOUND IN THIS PLAN IS THE EXCLUSIVE PROPERTY OF METALTECH-OMEGA INC. REPRODUCTION IN ENTIRETY OR IN PART WITHOUT THE WRITTEN CONSENT OF METALTECH-OMEGA INC IS PROHIBITED.

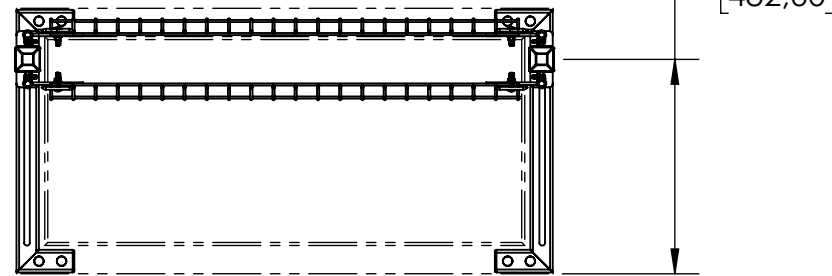
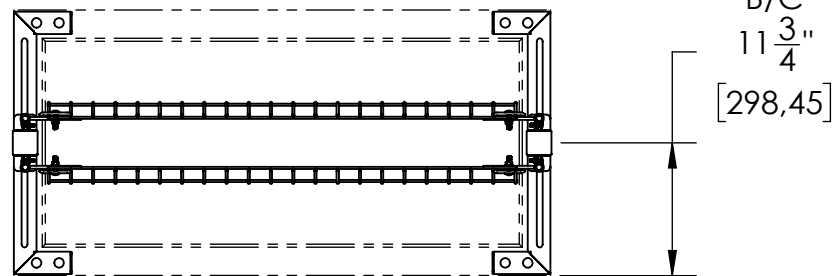
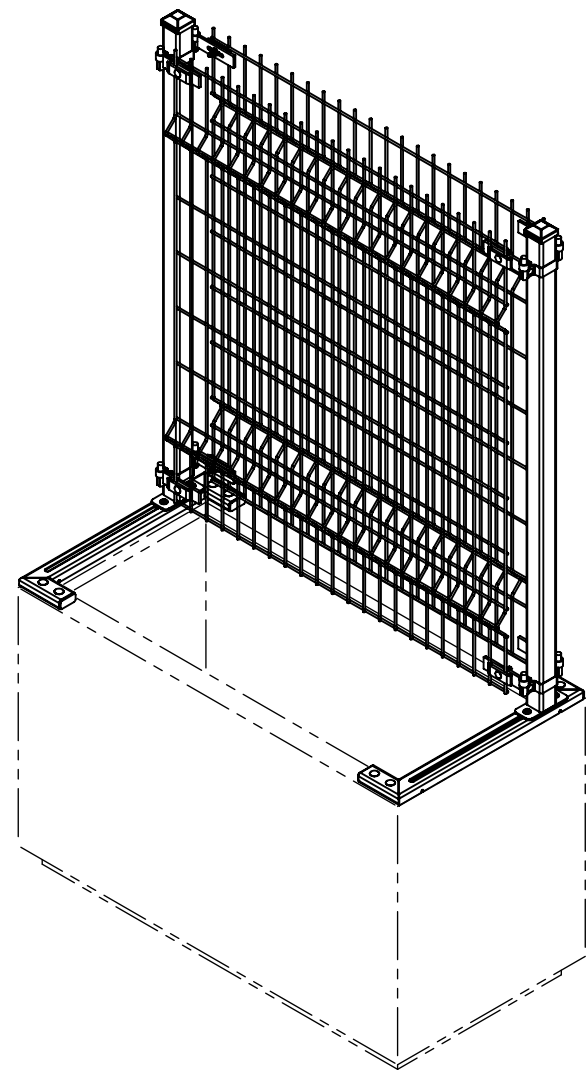
16 15 14 13 12 11 10 9 8 7 6 5 4 3 2 1

K
J
H
G
F
E
D
C
B
A

CENTERED ASSEMBLY



OFF-CENTERED ASSEMBLY



SURFACE FINISH / FINI DE SURFACE: HOT DIP GALVANIZED OR / OU PAINTED/PEINTURÉ

IF PAINTED, SPECIFY COLOR / SI PEINTURÉ, SPÉCIFIER COULEUR: _____

APPROVAL / APPROBATION: _____

| ITEM | QTY | CODE | DESCRIPTION |
|------|-----|----------------|--|
| 1 | 2 | C-CAP2AL | ALUMINUM CAP FOR 2" SQUARE POSTS - SP |
| 2 | 4 | C-CPENDF2K | UNIVERSAL ANGLE BRACKET KIT 2" SPECIAL COLOR |
| 3 | 2 | C-OM4848PT | ARCHITECTURAL OMEGA PANEL 49" H X 41-1/2" L FOR 4' PLANTER - PAINTED |
| 4 | 2 | C-PTCBR | PANEL SUPPORT ASSEMBLY |
| 5 | 4 | C-PTFPLGV | FIXATION PLATE - HOT DIPPED GALVANIZED |
| 6 | 2 | C-PTPBR | POST BRACKET FOR PLANTER - PREGALVANIZED AND PAINTED |
| 7 | 2 | C-PTPFECO4 | POST WITH BASEPLATE FOR ECO PLANTER - PREGALVANIZED AND PAINTED |
| 8 | 4 | VB-B5_16X1TAMP | TORX BOLT 5/16"-18 X 1" L. - STAINLESS |
| 9 | 8 | VB-BC3_8X2GV | SQUARE-NECK CARRIAGE BOLT 3/8" - 2" ZINC PLATED |
| 10 | 8 | VB-N3_8GV | NUT 3/8"-16 GALVANIZED |
| 11 | 4 | VB-W5_16GV | WASHER 5/16" GALVANIZED |

Omega II Fence System
1735 St-Elzéar Ouest, Laval, Québec, Canada, H7L 3N6
Tél: 800-836-6342
Website / Site internet: www.omegatwo.com

SYSTÈMES DE CLÔTURES
Omega II
FENCE SYSTEMS

| PART CODE | VARIANT | FINISH DESCRIPTION / COLOR |
|---------------|---------|---------------------------------|
| C-PTECO4X2KBK | BK | BLACK RAL9004 (30% GLOSS) |
| C-PTECO4X2KGV | GV | HOT-DIP GALVANIZED |
| C-PTECO4X2KSP | SP | SPECIAL COLOR (DEFINE IN ORDER) |

For product information's, please refer to:
Pour des informations sur les produits, se référer:

CODE: C-PTECO4X2K REV.: CLIENT

DESCRIPTION: KIT POUR PLANTER 4' X 2' ECO
ECO KIT FOR 4' X 2' PLANTER

DESSINÉ PAR: HBARBERO VÉRIFIÉ PAR:

ÉCHELLE: 1:17 FORMAT: B DATE: 2024-02-01 PAGE: 2/2

16 15 14 13 12 11 10 9 8 7 6 5 4 3 2 1