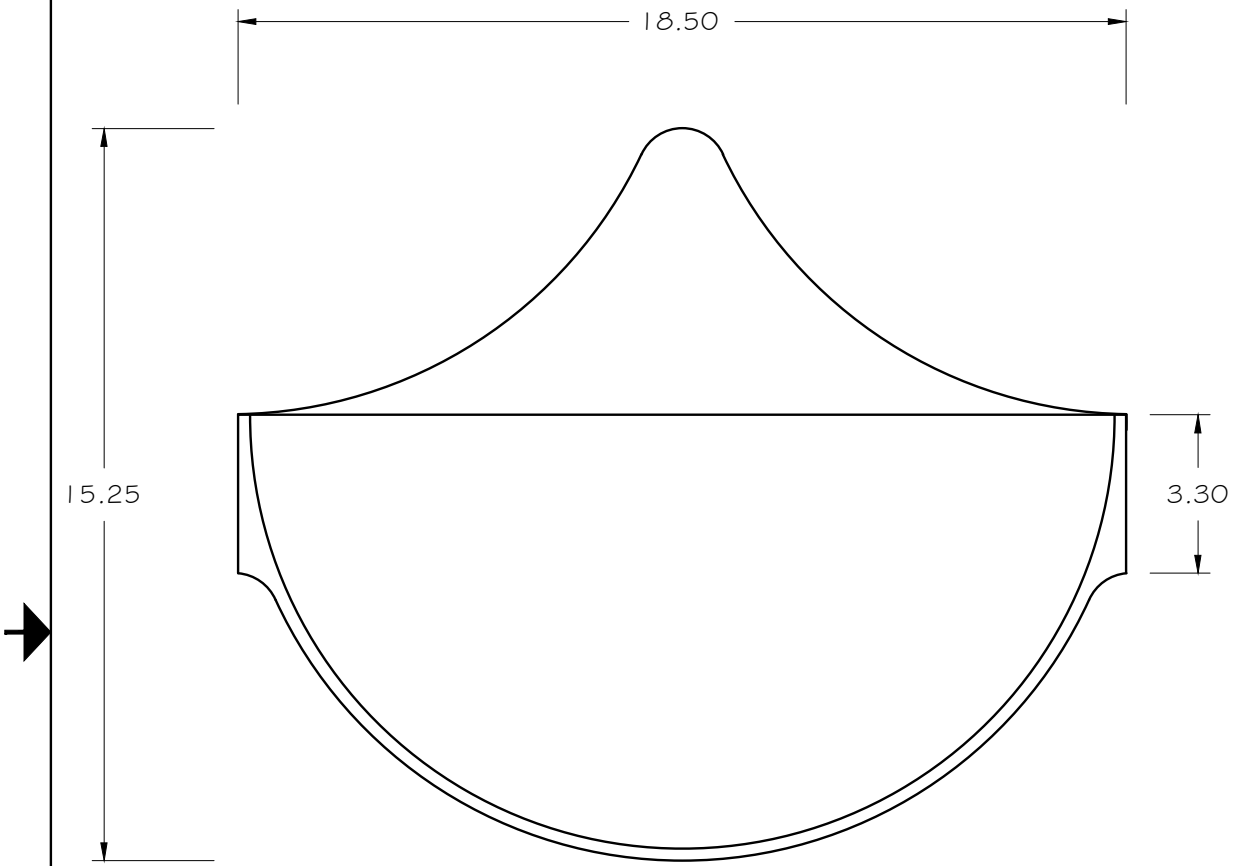
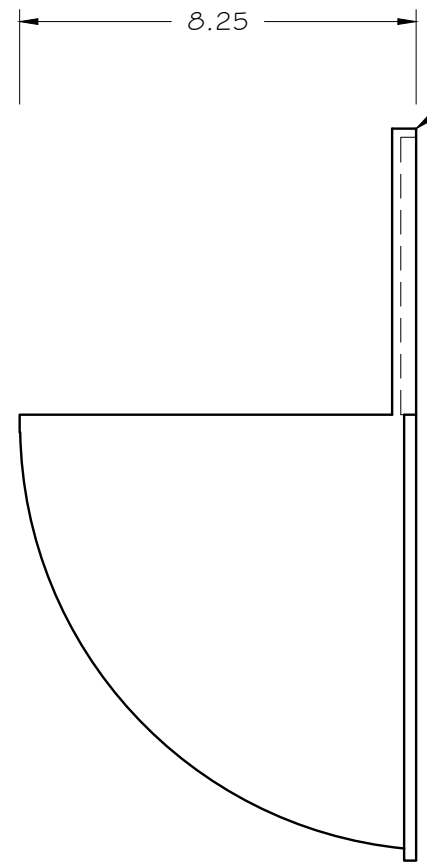


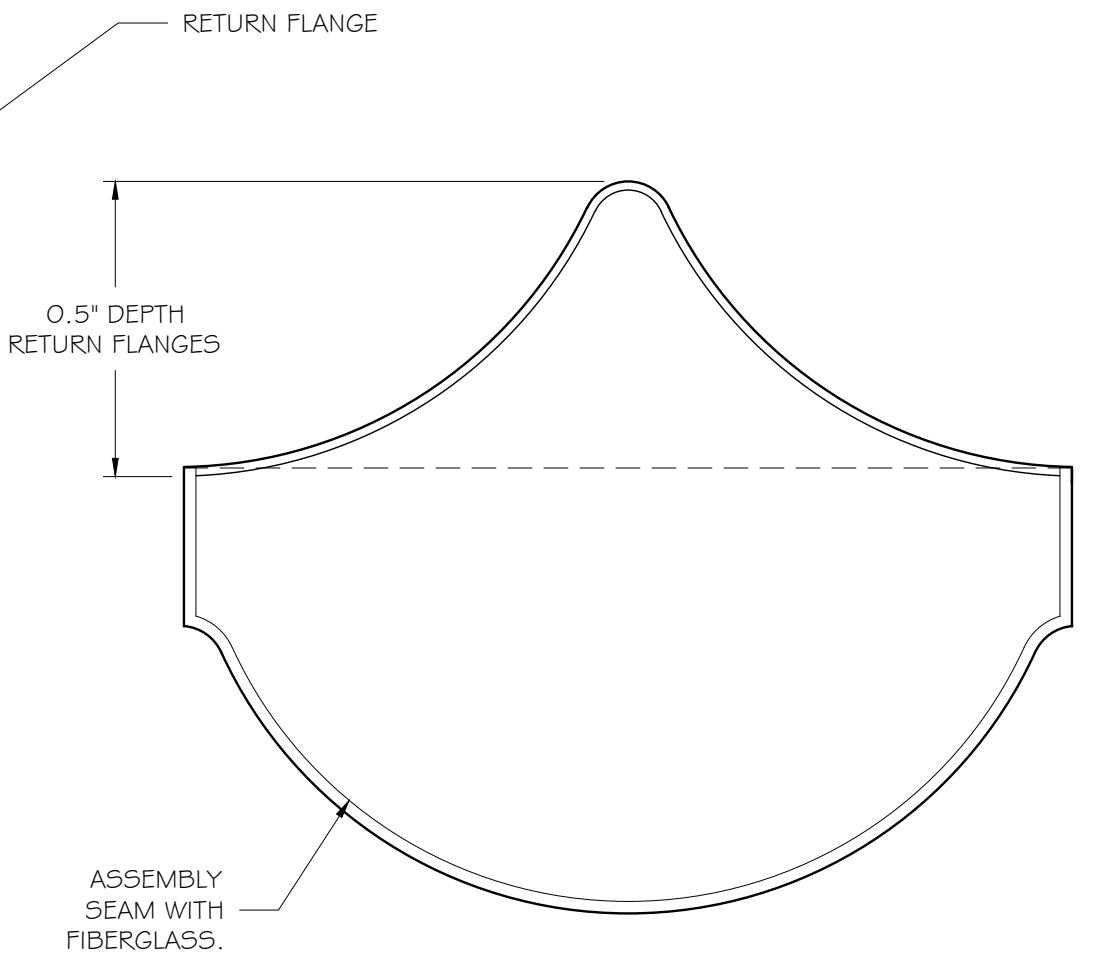
REVISIONS				
ZONE	REV	DESCRIPTION	DATE	APPROVED
	△	PART DRAWING	8/4/14	



1 FRONT ELEVATION



2 SIDE VIEW



3 BACK SIDE

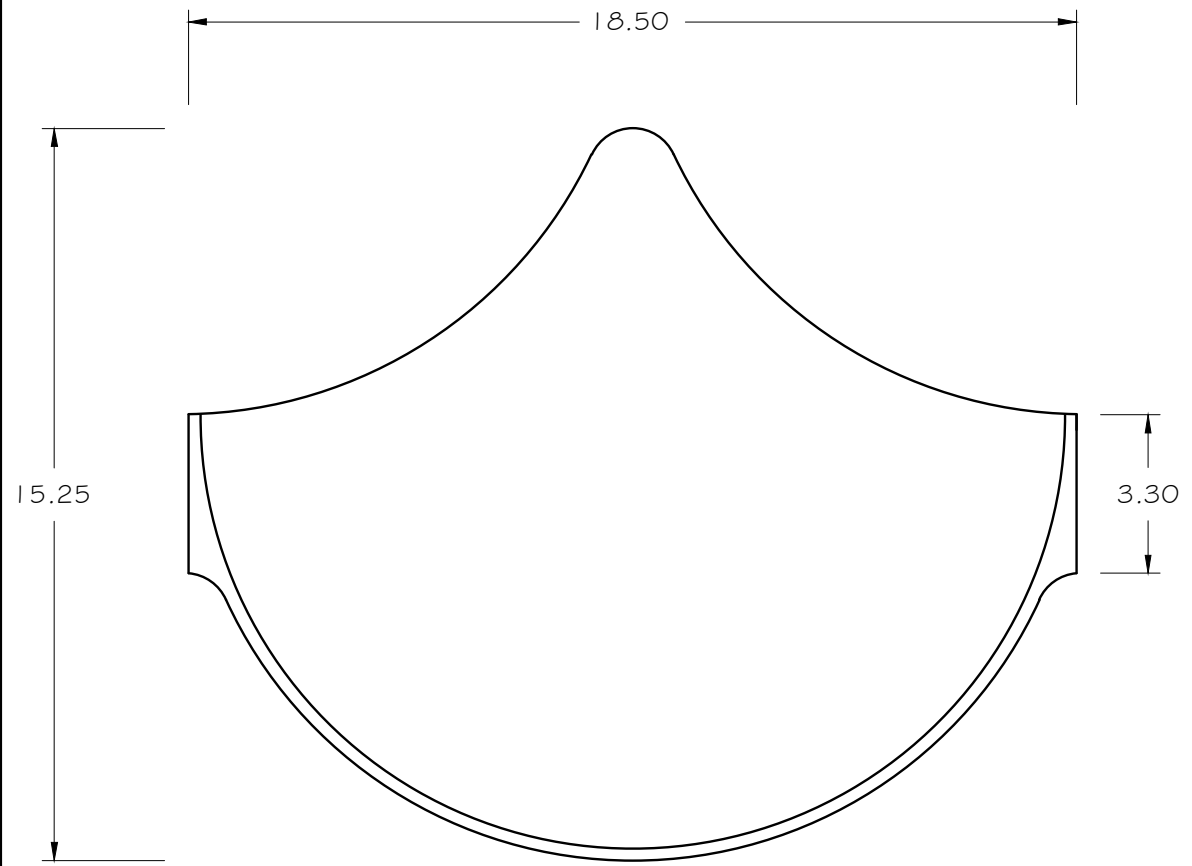
Old Town
fiberglass

Old Town Fiberglass, Inc. 456 South Montgomery Way, Orange, CA 92668-4015
PH: (714) 633-3732 FX: (714) 633-3317
www.oldtownfiberglass.com

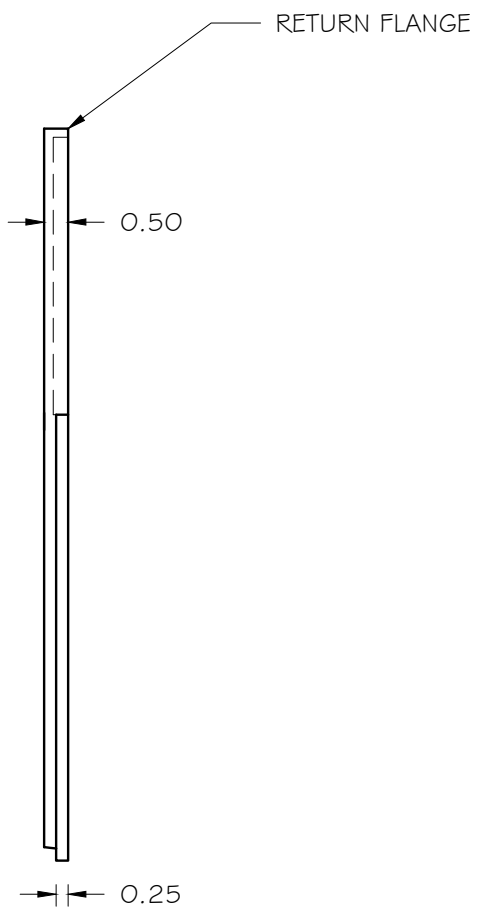
FRP WALL PLANTERS

CUST:	SIZE	FSCM NO.	DWG NO.	REV 0
SALE ORDER #	SCALE 3"=1'-0"		SHEET	OT-1

REVISIONS				
ZONE	REV	DESCRIPTION	DATE	APPROVED
	△	PART DRAWING	8/4/14	



1 FRONT ELEVATION



2 SIDE VIEW

Old Town <i>fiberglass</i>	Old Town Fiberglass, Inc. 456 South Montgomery Way, Orange, CA 92668-4015 PH: (714) 633-3732 FX: (714) 633-3317 www.oldtownfiberglass.com			
	FRP WALL TILES			
CUST:	SIZE	FSCM NO.	DWG NO.	REV 0
SALE ORDER #	SCALE 3"=1'-0"		SHEET	OT-2