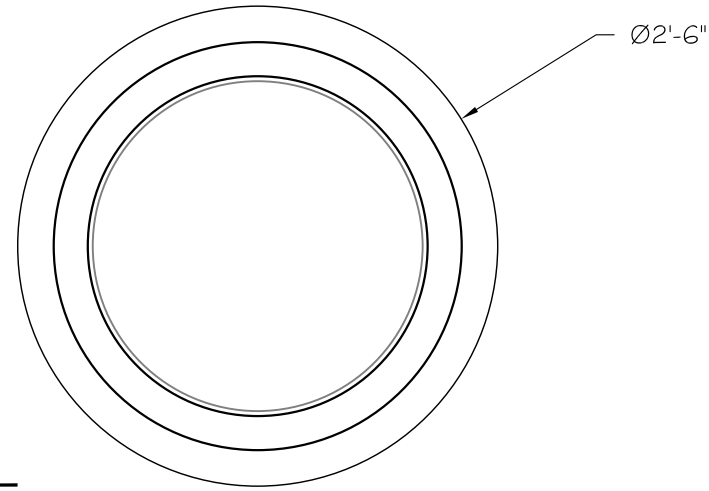
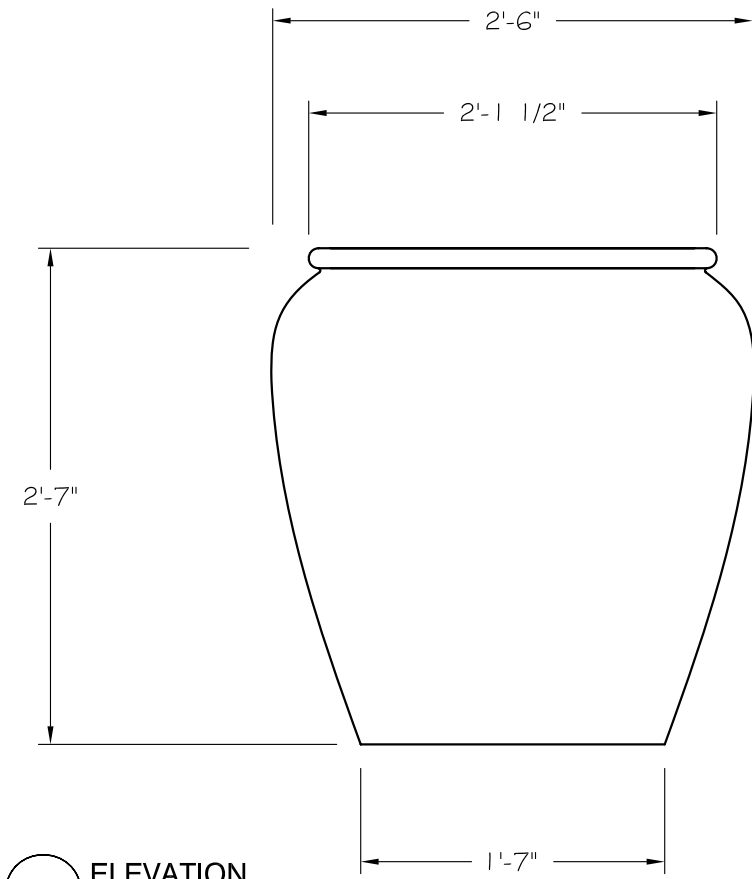


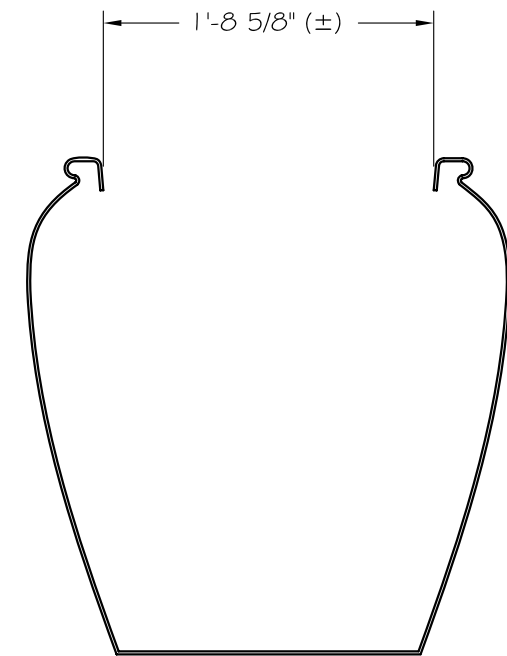
1 PLAN VIEW



2 ELEVATION



3 SECTION VIEW



REVISIONS				
ZONE	REV	DESCRIPTION	DATE	APPROVED
	△	PART DRAWING	2012	

Old Town <i>fiberglass</i>	Old Town Fiberglass, Inc. 456 South Montgomery Way Orange, CA 92868-4015 PH: (714) 633-3732 FX: (714) 633-3917 www.oldtownfiberglass.com			
	BL3031 (BALI)			
CUST:	SIZE	FSCM NO.	DWG NO.	REV 0
SALE ORDER #	SCALE 1"=1'-0"		SHEET	CS-1

* ALL PLANTERS AND BENCHES WILL HAVE TAPERED DRAFT.
 * ALL EDGES TO HAVE 1/4"R MIN.
 * MANUFACTURING TOLERANCE ± 1/4" (MAY VARIES BY MODEL)