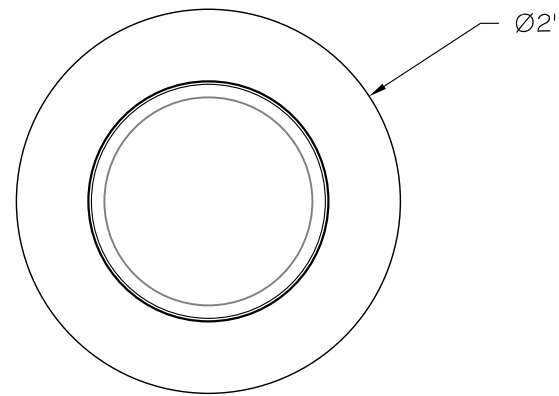
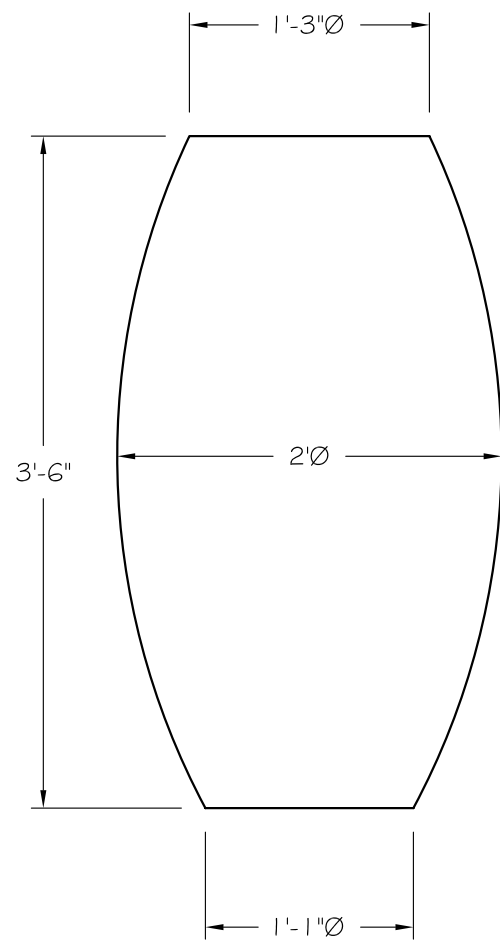


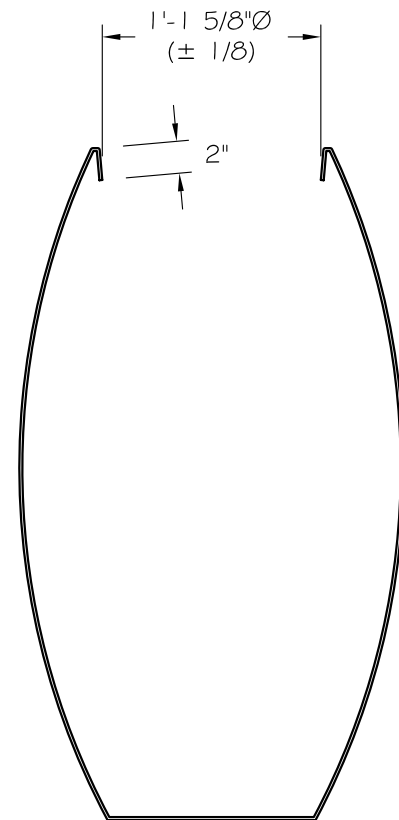
REVISIONS				
ZONE	REV	DESCRIPTION	DATE	APPROVED
	△	PART DRAWING	2012	



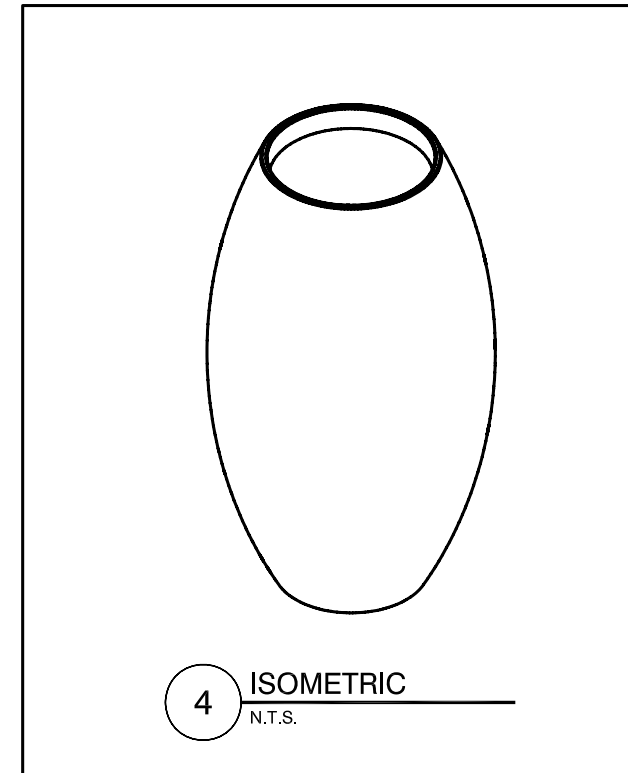
1 PLAN VIEW



2 ELEVATION



3 SECTION

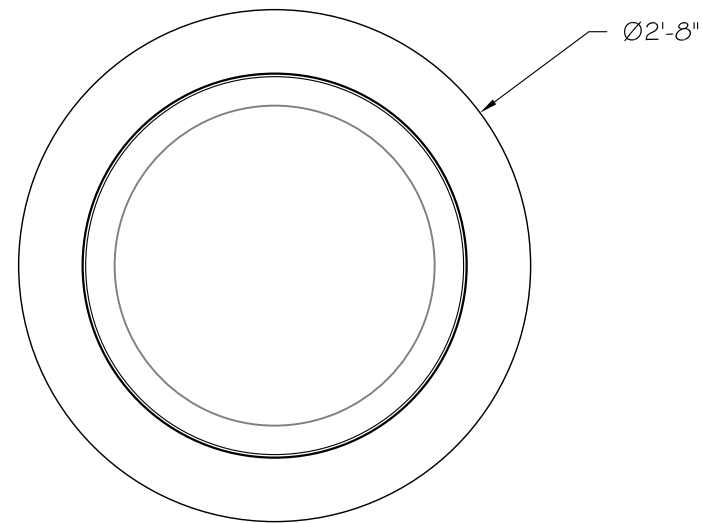


4 ISOMETRIC  
N.T.S.

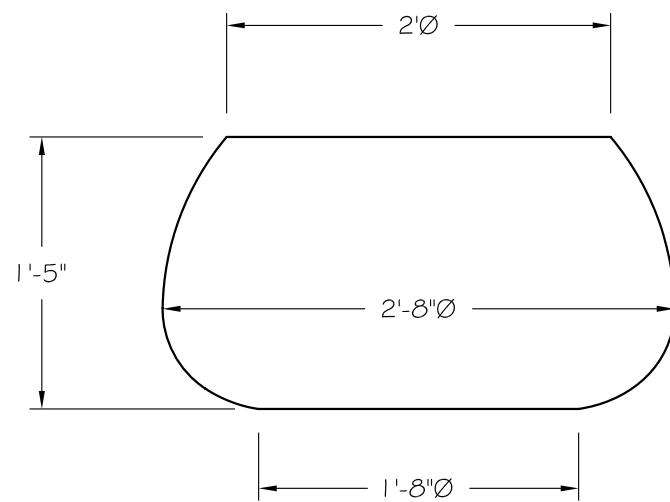
- \* ALL PLANTERS AND BENCHES WILL HAVE TAPERED DRAFT.
- \* ALL EDGES TO HAVE 1/4"R MIN.
- \* MANUFACTURING TOLERANCE  $\pm \frac{1}{4}$ " (MAY VARIES BY MODEL)

<b>Old Town fiberglass</b>	Old Town Fiberglass, Inc. 456 South Montgomery Way Orange, CA 92868-4015 PH: (714) 633-3732 FX: (714) 633-3917 www.oldtownfiberglass.com			
	<b>IM2442 (MIAMI)</b>			
CUST:	SIZE	FSCM NO.	DWG NO.	REV 1
SALE ORDER #	SCALE 1"=1'-0"		SHEET	CS-1

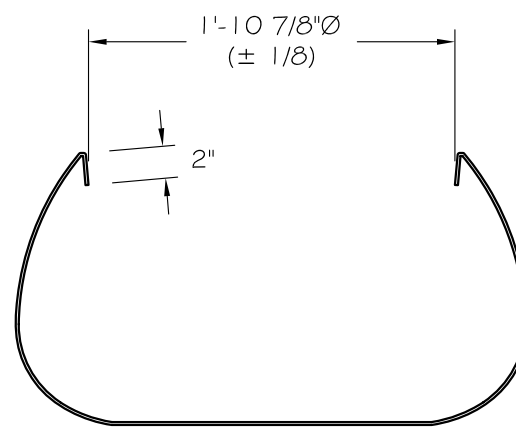
REVISIONS				
ZONE	REV	DESCRIPTION	DATE	APPROVED
	△	PART DRAWING	2012	



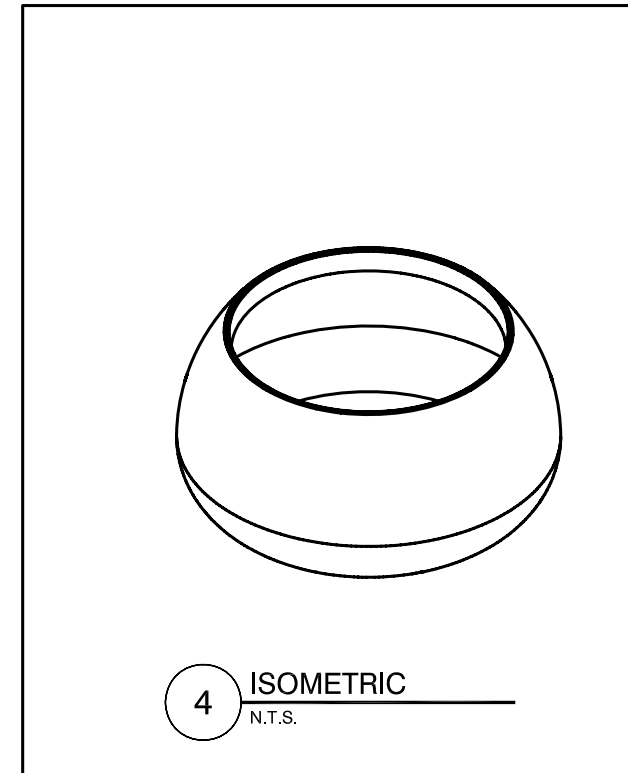
1 PLAN VIEW



2 ELEVATION



3 SECTION

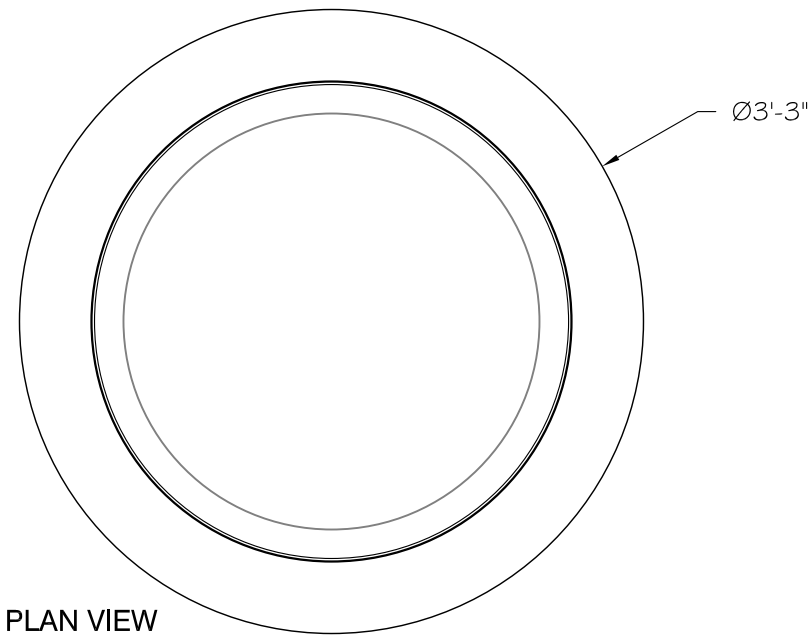


4 ISOMETRIC  
N.T.S.

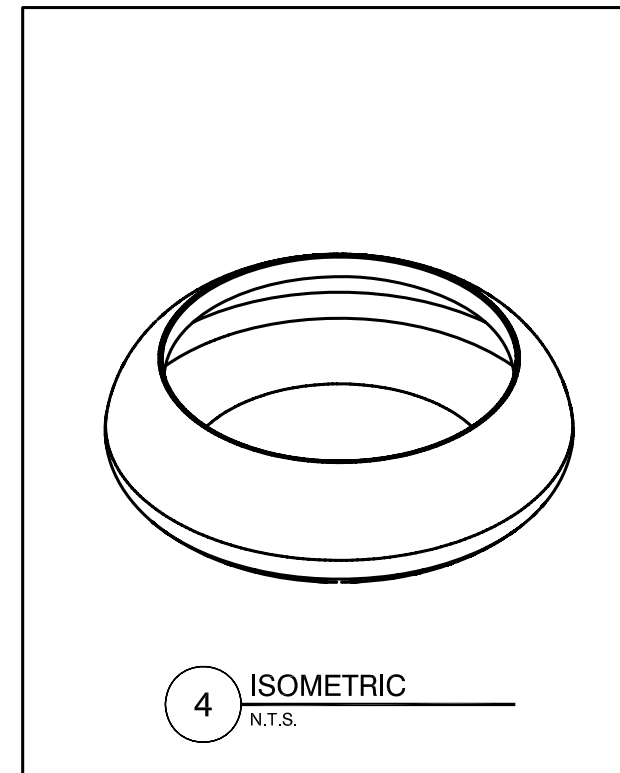
- \* ALL PLANTERS AND BENCHES WILL HAVE TAPERED DRAFT.
- \* ALL EDGES TO HAVE 1/4"R MIN.
- \* MANUFACTURING TOLERANCE  $\pm \frac{1}{4}$ " (MAY VARIES BY MODEL)

<b>Old Town fiberglass</b>	Old Town Fiberglass, Inc. 456 South Montgomery WayOrange, CA 92868-4015 PH: (714) 633-3732 FX: (714) 633-3917 www.oldtownfiberglass.com			
	<b>MI3217 (MIAMI)</b>			
CUST:	SIZE	FSCM NO.	DWG NO.	REV 1
SALE ORDER #	SCALE 1"=1'-0"		SHEET	CS-1

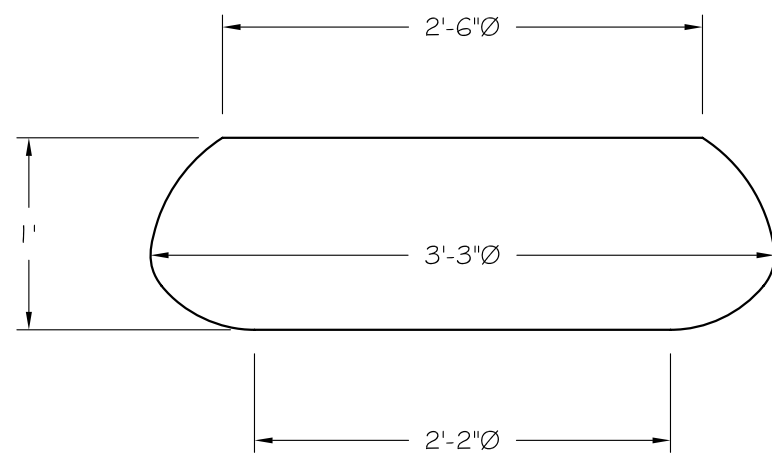
REVISIONS				
ZONE	REV	DESCRIPTION	DATE	APPROVED
	△	PART DRAWING	2012	



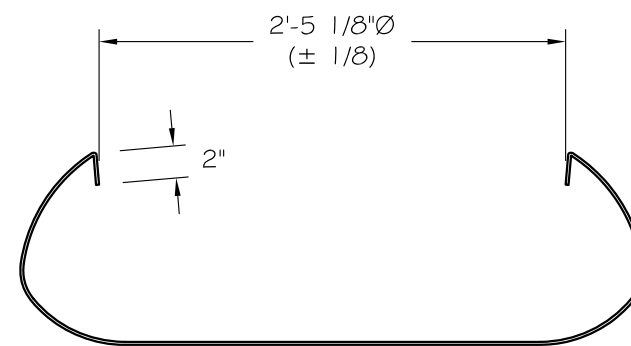
1 PLAN VIEW



4 ISOMETRIC  
N.T.S.



2 ELEVATION



3 SECTION

- \* ALL PLANTERS AND BENCHES WILL HAVE TAPERED DRAFT.
- \* ALL EDGES TO HAVE 1/4"R MIN.
- \* MANUFACTURING TOLERANCE  $\pm \frac{1}{4}$ " (MAY VARIES BY MODEL)

<b>Old Town fiberglass</b>	Old Town Fiberglass, Inc. 456 South Montgomery WayOrange, CA 92868-4015 PH: (714) 633-3732 FX: (714) 633-3917 www.oldtownfiberglass.com			
	<b>MI3912 (MIAMI)</b>			
CUST:	SIZE	FSCM NO.	DWG NO.	REV 1
SALE ORDER #	SCALE 1"=1'-0"		SHEET	CS-1