

Freestanding Planters

Specification Guide

Visit our web site or contact the factory for current pricing on your order.
All orders are subject to the Terms and Conditions outlined in this guide.



Opal
Cannonsburg, PA



Cardiff Tapered Squares
Los Angeles, CA

Old Town Fiberglass, Inc.

767 North Hariton Street
Orange, CA 92868-4015

Tel: 714.633.3732

E-mail: Info@OldTownFiberglass.com

On-line: Oldtownfiberglass.com

Our concern for environmental compliance has become part of our corporate culture. Preserving our world for future generations requires commitment and dedication. Our planters meet qualifications for LEED guidelines. Air quality from our plant is in compliance with EPA regulations that reduce the escape of chemicals into the atmosphere. We continuously look for ways to improve our manufacturing processes and make responsible environmental choices.

Freestanding Planters

Index

Cylinders



Rimless (CR)
Page CL1



Rimmed (CL)
Page CL2



Monterey (MC)
Page CL3



Mediterranean (MT)
Page CL4



Mediterranean (MTT)
Page CL5



Sanford (SF)
Page CL6



Galini (GL)
Page CL7



Hermosa (HR)
Page CL8



Kona (KN)
Page CL9



Grato (GR)
Page CL10



Sandburg (SB)
Page CL11



Current (CU)
Page CL12

Squares and Rectangles



Std. Squares (SL)
Page SR1&SR2



Monterey (MS)
Page SR3



Cardiff (CF)
Page SR4



Cardiff Rect (CF)
Page SR5



Trafalgar (TF)
Page SR6



Versailles (VS)
Page SR7



Sonoma (SO)
Page SR8



Hampton (HS)
Page SR9



Std. Rectangles (RL)
Page SR10 & SR11



Arizona (CB)
Page SR12



Sunset (SN)
Page SR13



Mediterranean (MT)
Page SR14



Surf (TL)
Page SR15



Square with Feet (PPSL)
Page SR16

Old Town Fiberglass, Inc.

767 North Hariton Street

Orange, CA 92868-4015

Tel: 714.633.3732

E-mail: Info@OldTownFiberglass.com

On-line: Oldtownfiberglass.com

Freestanding Planters

Index (continued)

Squares and Rectangles



Square Wind (PPSW)
Page SR17



Tapered SQ (STP)
Page SR18



Empire (EM)
Page SR19



Valtos
Page SR20

Triangles



Standard Triangles (TGL)
Page TR1



Trestles (TS)
Page TR2



Bermuda (BR)
Page TR3

Geometrics



Crystal (CT)
Page GE1



Prism (PR)
Page GE2



Prism Rectangle (PR)
Page GE2



Standard Hexagons (HX)
Page GE3



Diamond (DI)
Page GE4



La Jolla (LJ)
Page GE5



Del Rey (DR)
Page GE6

Cones



Ponto (PCL)
Page CN1



Malibu (ML)
Page CN2



Rio Angeles (ML)
Page CN3



Baja (BJ)
Page CN4



Milan (ML)
Page CN5



Caladesi (CCL)
Page CN6



Palawan Jar (PJ)
Page CN7



Bala (BAL)
Page CN8



Banderos (BD)
Page CN9



Ming (MG)
Page CN10



Balboa (BB)
Page CN11



Moonstone (MN)
Page CN12



Surf Planter (PPSR)
Page RC11

Old Town Fiberglass, Inc.

767 North Hariton Street

Orange, CA 92868-4015

Tel: 714.633.3732

E-mail: Info@OldTownFiberglass.com

On-line: Oldtownfiberglass.com

Freestanding Planters

Index (continued)

Bowls



Matrix (ML)
Page BL1



Santee (ML)
Page BL2



Kowa (KB)
Page BL3



Lido (LB)
Page BL4



Wall-1/2 Round (HWP)
Page BL5



Panama (PN)
Page BL6



Carmel (CML)
Page BL7



Cancun (CN)
Page BL8



Miami (MI)
Page BL9



Blossom (BLS)
Page BL10



Shell Bowls (SB)
Page BL11



Gilgo (GI)
Page BL12



Mediterranean Bowl
Page CL4

Urns



Grecian (GR)
Page UN1



Imperial (IM)
Page UN2



Capistrano (CA)
Page UN3



Bahia (HSP)
Page UN4



Zuma (ZM)
Page UN5



Bali (BL)
Page UN6



Opal (OP)
Page UN7



Miami (MI)
Page BL9

Old Town Fiberglass, Inc.

767 North Hariton Street
Orange, CA 92868-4015

Tel: 714.633.3732

E-mail: Info@OldTownFiberglass.com

On-line: Oldtownfiberglass.com

Freestanding Planters

Index (continued)

Receptacles



Std. Trash (TR)
Page RC1



Mediterranean (MT)
Page RC2



Ash Urn (AR)
Page RC3



Combo Trash/Ash (CM)
Page RC4



Combo Tray/Trash (FT)
Page RC5



Square Trash (ST)
Page RC6



Tapered SQ Trash (STR)
Page RC7



Caladesi Trash Receptacle (CCL)
Page RC8



Cardiff Trash Receptacle (CF)
Page RC9



Ponto Trash Receptacle (PCL)
Page RC10



Surf Trash Receptacle (PPSR)
Page RC11



Prism Trash Receptacle (PRTR)
Page RC12



Cambria Trash Receptacle (CA)
Page RC13



Fort Bragg Trash Receptacle (FB)
Page RC14



Triple Trash Receptacle (TT)
Page RC15



Recycle Stool
Page RC16

Ovals



Oval Planter (PPOV)
Page OV1



Pier (PI)
Page OV2

Vases



Victoria Large (PPVV)
Page VA1



Victoria Small (PPVV)
Page VA1

Old Town Fiberglass, Inc.

767 North Hariton Street
Orange, CA 92868-4015

Tel: 714.633.3732

E-mail: Info@OldTownFiberglass.com

On-line: Oldtownfiberglass.com

Freestanding Planters

Index (continued)

Saucers



Saucers (SCR)
Page SC1



Square Saucers (SCS)
Page SC2



Rect. Saucers (SCRT)
Page SC2

Furnishings



Noodle Bench (NDL)
Page ST1



Accent (AC)
Page ST2



Arizona (CB)
Page ST3&ST4



Spa Table (SPA)
Page ST5



Puzzle Bench
Page ST5



Vantage
Page ST6



Hudson Bay Stool (HBS)
Page ST7



Arena (SPHERE)
Page ST8



Recycle Stool
Page RC16

Licensed Designs



Pineapple (APD)
Page LP1



Domino (DL)
Page LP1



Pro/Artisan (RM)
Page LP2



Kornegay Dune (DS)
Page LP3



"Cirque Series" by Kornegay
Design, Page LP4



"BLOC" by Hocker
Design Group, Page LP6

Old Town Fiberglass, Inc.

767 North Hariton Street
Orange, CA 92868-4015

Tel: 714.633.3732

E-mail: Info@OldTownFiberglass.com

On-line: Oldtownfiberglass.com

Freestanding Planters

Rimless Cylinders

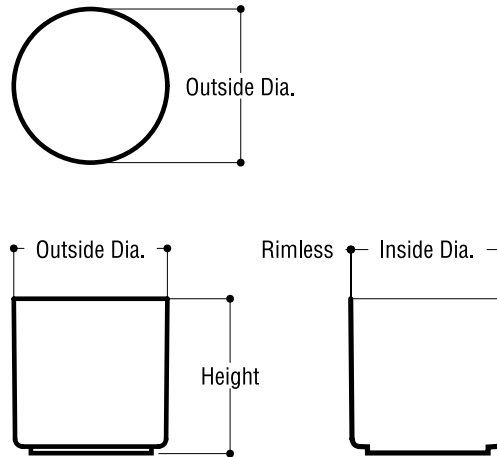


Illustration not to scale

Model No.	Outside Dia.	Inside Dia.	Height	Rim	Weight
CR0808	8"	7-½"	8" *	None	3
CR1010	10"	9-½"	10" *	"	4
CR1212	12"	11-½"	12" *	"	6
CR1414	14"	13-½"	14" *	"	7
CR1616	16"	15-½"	16" *	"	10
CR1818	18"	17-½"	18" *	"	12
CR1824	18"	17-½"	24" *	"	18
CR2020	20"	19-½"	20" *	"	18

Note:

Please contact us if you don't see the shape or size of planter you need—we welcome custom orders. Planter irrigation and custom internal modifications available. All orders are subject to the Terms and Conditions outlined in this Price List. Specifications are available on our web site.

*The fabrication method used in the production of these planters enables us to easily reduce the height of the planter. A reduction in height at the time of order may not require an upcharge. Please contact us for details.

Old Town Fiberglass, Inc.

767 North Hariton Street

Orange, CA 92868-4015

Tel: 714.633.3732

E-mail: Info@OldTownFiberglass.com

On-line: Oldtownfiberglass.com

Freestanding Planters

Cylinders with rims

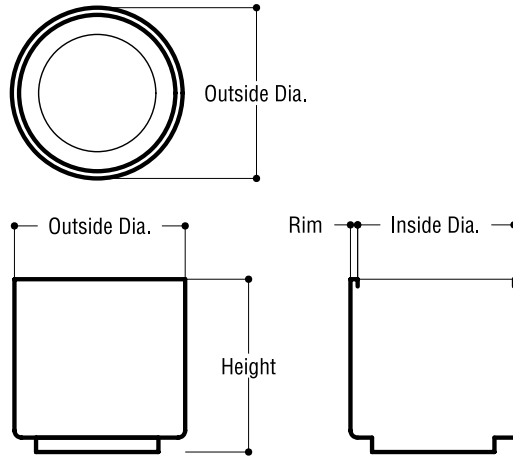


Illustration not to scale

*The fabrication method used in the production of these planters enables us to easily reduce the height of the planter.

Please contact us for details.

Note:

Please contact us if you don't see the shape or size of planter you need—we welcome custom orders. Planter irrigation and custom internal modifications available. All orders are subject to the Terms and Conditions outlined in this Price List. Specifications are available on our web site.

Old Town Fiberglass, Inc.

767 North Hariton Street
Orange, CA 92868-4015
Tel: 714.633.3732

E-mail: Info@OldTownFiberglass.com
On-line: Oldtownfiberglass.com

Model No.	Outside Dia.	Inside Dia.	Height	Rim	Weight
CL2418	24"	20"	18" *	2"	21
CL2424	24"	20"	24" *	2"	26
CL2432	24"	20"	32"*	2"	43
CL3024	30"	23-½"	24" *	3-¼"	35
CL3030	30"	23-½"	30" *	3-¼"	41
CL3624	36"	27-½"	24" *	4-¼"	45
CL3630	36"	27-½"	30" *	4-¼"	52
CL3636	36"	27-½"	36" *	4-¼"	59
CL4236	42"	37"	36" *	2-½"	85
CL4824	48"	37-½"	24" *	5-¼"	66
CL4830	48"	37-½"	30" *	5-¼"	75
CL4842	48"	37-½"	42" *	5-¼"	94
CL6024	60"	50-½"	24" *	4-¾"	88
CL6036	60"	50-½"	36" *	4-¾"	112
CL6042	60"	50-½"	42" *	4-¾"	123
CL7230	72"	60"	30" *	6"	116
CL7236	72"	60"	36" *	6"	144
CL7242	72"	60"	42" *	6"	158
CL9630	96"	80"	30" *	8"	198
CL9636	96"	80"	36" *	8"	216
CL9642	96"	80"	42" *	8"	235
CL9660	96"	86"	60" *	5"	300

Freestanding Planters

Monterey Cylinders

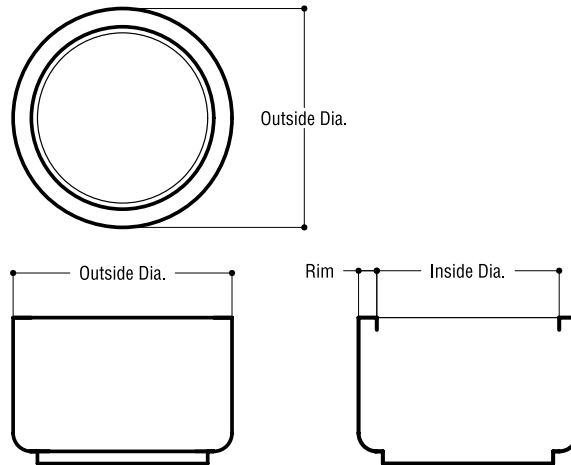


Illustration not to scale

*The fabrication method used in the production of these planters enables us to easily reduce the height of the planter.

Please contact us for details.

Model No.	Outside Dia.	Inside Dia.	Height	Rim	Weight
MC1816	18"	14"	16" *	2"	14
MC2418	24"	20"	18" *	2"	21
MC3018	30"	23-1/2"	18" *	3-1/4"	29
MC3624	36"	27-1/2"	24" *	4-1/4"	45

Note:

Please contact us if you don't see the shape or size of planter you need—we welcome custom orders. Planter irrigation and custom internal modifications available. All orders are subject to the Terms and Conditions outlined in this Price List. Specifications are available on our web site.

Old Town Fiberglass, Inc.

767 North Hariton Street

Orange, CA 92868-4015

Tel: 714.633.3732

E-mail: Info@OldTownFiberglass.com

On-line: Oldtownfiberglass.com

Freestanding Planters

Mediterranean Cylinders

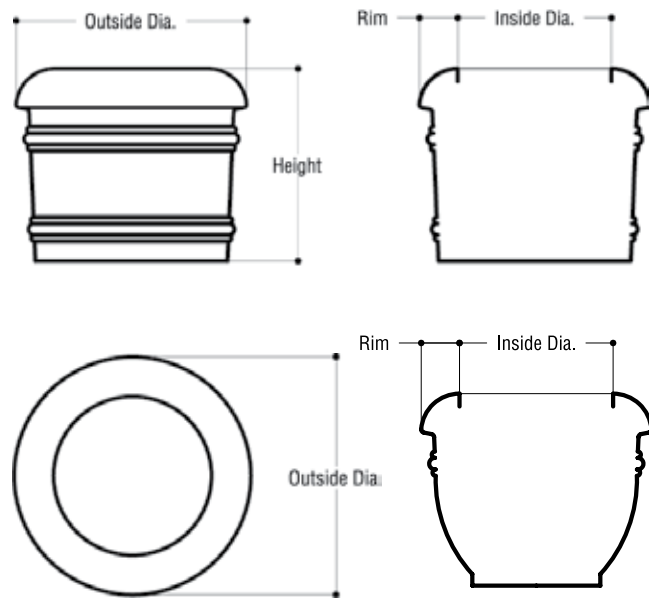


Illustration not to scale

Cylinders

Model No.	Outside Dia.	Inside Dia.	Height	Rim	Weight
MT2418	24"	18"	18"	3"	23
MT3630	36"	27"	30"	4-1/2"	56
MT3636	36"	27-1/2"	36"	4-1/4"	64
MT4242	42"	30"	42"	6"	88
MT4832	48"	34"	32"	6-1/2"	86
MT6036	60"	45"	36"	7-1/2"	124

Matching Trash Receptacle Available.

Bowls

Model No.	Outside Dia.	Inside Dia.	Height	Rim	Weight
MT2416	24"	18"	16"	3"	22

Note:

Please contact us if you don't see the shape or size of planter you need—we welcome custom orders. Planter irrigation and custom internal modifications available. All orders are subject to the Terms and Conditions outlined in this Price List. Specifications are available on our web site.

Old Town Fiberglass, Inc.

767 North Hariton Street
Orange, CA 92868-4015

Tel: 714.633.3732

E-mail: Info@OldTownFiberglass.com

On-line: Oldtownfiberglass.com

Freestanding Planters

Mediterranean Tapered Cylinder

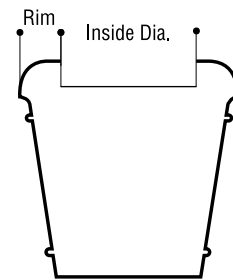
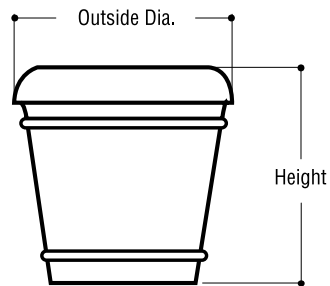
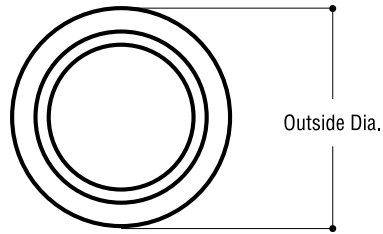


Illustration not to scale

Model No.	Outside Dia.	Inside Dia.	Height	Rim	Weight
MTT1818	18"	12"	18"	3"	13
MTT3030	30"	22"	30"	4"	34
MTT4242	42"	32"	42"	5"	67

Note:

Please contact us if you don't see the shape or size of planter you need—we welcome custom orders. Planter irrigation and custom internal modifications available. All orders are subject to the Terms and Conditions outlined in this Price List. Specifications are available on our web site.

Old Town Fiberglass, Inc.

767 North Hariton Street

Orange, CA 92868-4015

Tel: 714.633.3732

E-mail: Info@OldTownFiberglass.com

On-line: Oldtownfiberglass.com

Freestanding Planters

Sanford

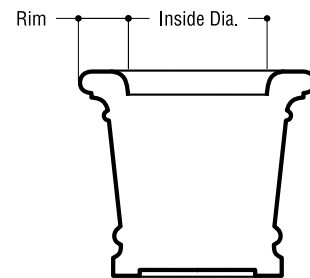
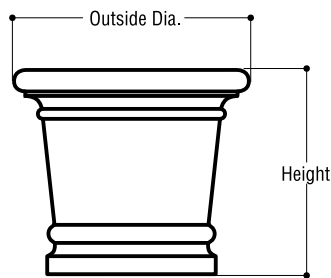
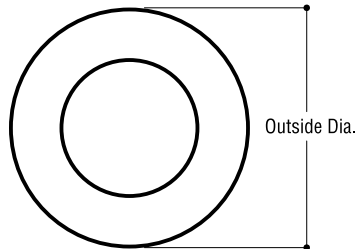


Illustration not to scale

Model No.	Outside Dia.	Inside Dia.	Height	Rim	Base Dia.	Weight
SF2424	24"	19"	24"	2-1/2"	18"	27
SF3030	30"	22"	30"	4"	23-1/2"	59
SF3838	38"	30-1/2"	38"	3-3/4"	28"	65

Note:

Please contact us if you don't see the shape or size of planter you need—we welcome custom orders. Planter irrigation and custom internal modifications available. All orders are subject to the Terms and Conditions outlined in this Price List. Specifications are available on our web site.

Old Town Fiberglass, Inc.

767 North Hariton Street

Orange, CA 92868-4015

Tel: 714.633.3732

E-mail: Info@OldTownFiberglass.com

On-line: Oldtownfiberglass.com

Freestanding Planters

Galini

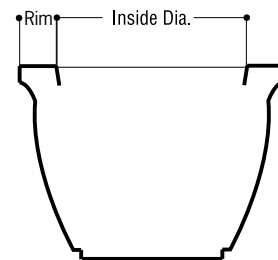
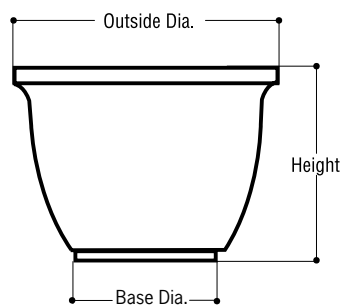
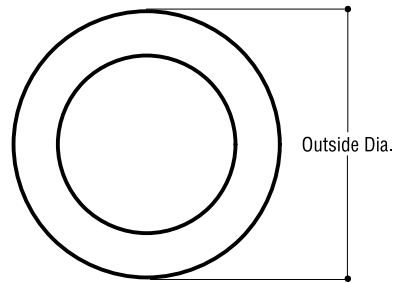


Illustration not to scale

Model No.	Outside Dia.	Inside Dia.	Height	Rim	Base Dia.	Weight
GL3630	36"	24"	30"	6"	19"	51
GL4836	48"	34"	36"	7"	26"	82
GL6042	60"	44"	42"	8"	31"	119

Note:

Please contact us if you don't see the shape or size of planter you need—we welcome custom orders. Planter irrigation and custom internal modifications available. All orders are subject to the Terms and Conditions outlined in this Price List. Specifications are available on our web site.

Old Town Fiberglass, Inc.

767 North Hariton Street

Orange, CA 92868-4015

Tel: 714.633.3732

E-mail: Info@OldTownFiberglass.com

On-line: Oldtownfiberglass.com

Freestanding Planters

Hermosa

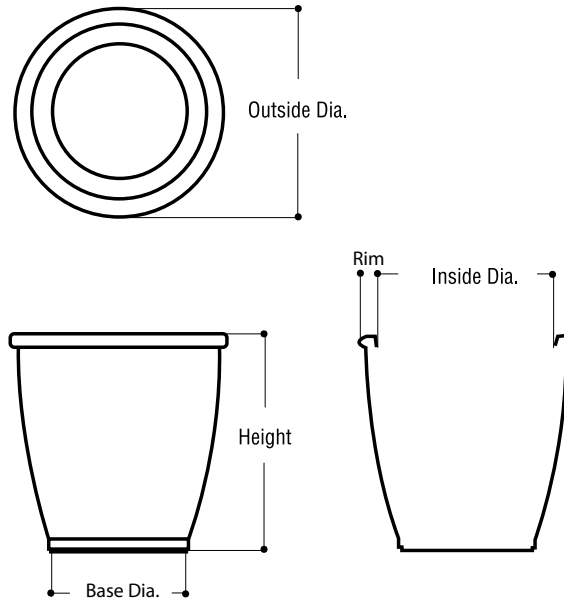


Illustration not to scale

Model No.	Outside Dia.	Inside Dia.	Height	Rim	Base Dia.	Weight
HR3636	36"	30"	36"	3"	23"	58

Note:

Please contact us if you don't see the shape or size of planter you need—we welcome custom orders. Planter irrigation and custom internal modifications available. All orders are subject to the Terms and Conditions outlined in this Price List. Specifications are available on our web site.

Old Town Fiberglass, Inc.

767 North Hariton Street

Orange, CA 92868-4015

Tel: 714.633.3732

E-mail: Info@OldTownFiberglass.com

On-line: Oldtownfiberglass.com

Freestanding Planters

Kona

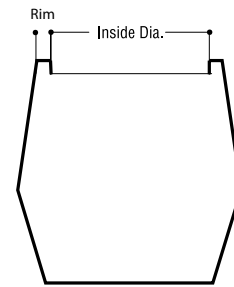
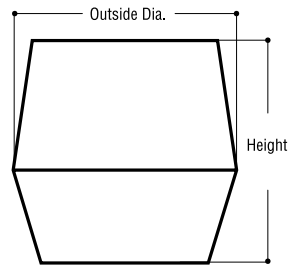
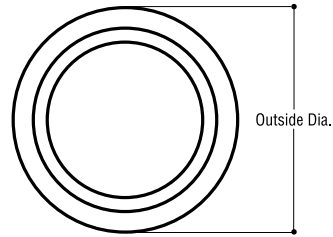


Illustration not to scale

Model No.	Outside Dia.	Inside Dia.	Height	Rim	Weight
KN2424	24"	18-½"	24"	1-½"	21
KN2442	24"	22-½"	42"	1-½"	31
KN2836	28"	18-½"	36"	1-½"	33

Note:

Please contact us if you don't see the shape or size of planter you need—we welcome custom orders. Planter irrigation and custom internal modifications available. All orders are subject to the Terms and Conditions outlined in this Price List. Specifications are available on our web site.

Old Town Fiberglass, Inc.

767 North Hariton Street

Orange, CA 92868-4015

Tel: 714.633.3732

E-mail: Info@OldTownFiberglass.com

On-line: Oldtownfiberglass.com

Freestanding Planters

Grato Table / Planter

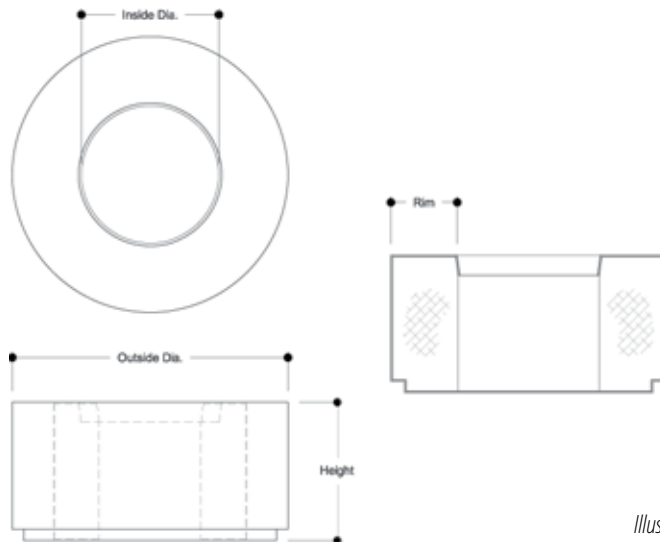


Illustration not to scale

Model No.	Outside Dia.	Inside Dia.	Height	Rim	Weight
GT4824	48"	24"	20"	12"	85

Note:

Please contact us if you don't see the shape or size of planter you need—we welcome custom orders. Planter irrigation and custom internal modifications available. All orders are subject to the Terms and Conditions outlined in this Price List. Specifications are available on our web site.

Old Town Fiberglass, Inc.

767 North Hariton Street

Orange, CA 92868-4015

Tel: 714.633.3732

E-mail: Info@OldTownFiberglass.com

On-line: Oldtownfiberglass.com

Freestanding Planters

Sandburg

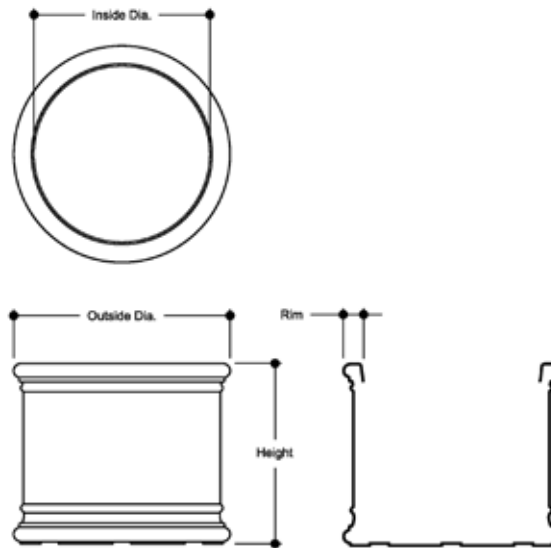


Illustration not to scale

Model No.	Outside Dia.	Inside Dia.	Height	Rim	Weight
SB3024	30"	24-1/2"	24"	2-3/4"	38
SB3630	36"	29"	30"	3-1/2"	45
SB4836	48"	39"	36"	4-1/2"	81

Note:

Please contact us if you don't see the shape or size of planter you need—we welcome custom orders. Planter irrigation and custom internal modifications available. All orders are subject to the Terms and Conditions outlined in this Price List. Specifications are available on our web site.

Old Town Fiberglass, Inc.

767 North Hariton Street

Orange, CA 92868-4015

Tel: 714.633.3732

E-mail: Info@OldTownFiberglass.com

On-line: Oldtownfiberglass.com

Freestanding Planters

Current

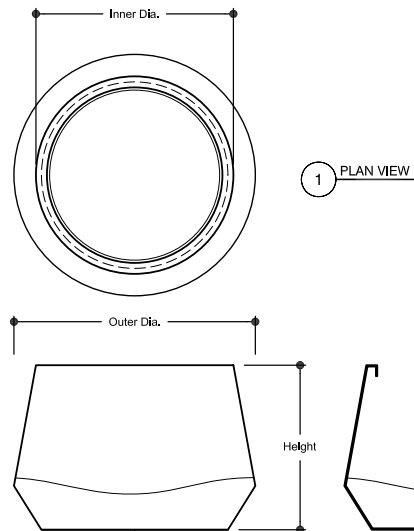


Illustration not to scale

Model No.	Outside Dia.	Inside Dia.	Height	Rim	Base Dia.	Weight
CU2818	28"	20"	18"	2"	22"	30
CU3642	36"	25"	42"	2"	26"	80
CU4430	44"	32"	30"	2"	34"	80
CU4614	46"	36"	14"	2"	40"	45

Note:

Please contact us if you don't see the shape or size of planter you need—we welcome custom orders. Planter irrigation and custom internal modifications available. All orders are subject to the Terms and Conditions outlined in this Price List. Specifications are available on our web site.

Old Town Fiberglass, Inc.

767 North Hariton Street

Orange, CA 92868-4015

Tel: 714.633.3732

E-mail: Info@OldTownFiberglass.com

On-line: Oldtownfiberglass.com

Freestanding Planters

Standard Squares

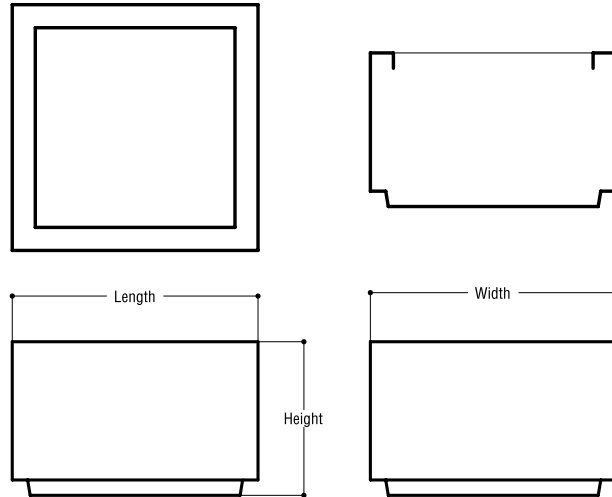


Illustration not to scale

*The fabrication method used in the production of these planters enables us to easily reduce the height of the planter.

Please contact us for details.

Note:

Please contact us if you don't see the shape or size of planter you need—we welcome custom orders. Planter irrigation and custom internal modifications available. All orders are subject to the Terms and Conditions outlined in this Price List. Specifications are available on our web site.

Old Town Fiberglass, Inc.

767 North Hariton Street

Orange, CA 92868-4015

Tel: 714.633.3732

E-mail: Info@OldTownFiberglass.com

On-line: Oldtownfiberglass.com

Model No.	Length	Width	Height	Rim	Weight
SL1616	16"	16"	16" *	2"	21
SL1630	16"	16"	30" *	2"	34
SL1818	18"	18"	18" *	2-½"	27
SL1824	18"	18"	24" *	2-½"	33
SL2418	24"	24"	18" *	2-½"	38
SL2424	24"	24"	24" *	2-½"	46
SL2430	24"	24"	30" *	2-½"	54
SL2432	24"	24"	32" *	2-½"	57
SL3024	30"	30"	24" *	3"	61
SL3030	30"	30"	30" *	3"	71
SL3618	36"	36"	18" *	4"	66
SL3624	36"	36"	24" *	4"	78
SL3630	36"	36"	30" *	4"	90
SL3636	36"	36"	36" *	4"	102
SL4242	42"	42"	42" *	4"	86
SL4824	48"	48"	24" *	4-½"	113
SL4830	48"	48"	30" *	4-½"	130
SL4836	48"	48"	36" *	4-½"	145
SL4842	48"	48"	42" *	4-½"	161
SL4848	48"	48"	48" *	4-½"	177
SL6024	60"	60"	24" *	5"	153
SL6030	60"	60"	30" *	5"	174

Freestanding Planters

Standard Squares



Model No.	Length	Width	Height	Rim	Weight
SL6036	60"	60"	36"*	5"	193
SL6042	60"	60"	42"*	5"	213
SL6048	60"	60"	48"*	5"	233
SL7224	72"	72"	24"*	5"	196
SL7230	72"	72"	30"*	5"	220
SL7236	72"	72"	36"*	5"	244
SL7242	72"	72"	42"*	5"	268

*The fabrication method used in the production of these planters enables us to easily reduce the height of the planter.

Please contact us for details.

Note:

Please contact us if you don't see the shape or size of planter you need—we welcome custom orders. Planter irrigation and custom internal modifications available. All orders are subject to the Terms and Conditions outlined in this Price List. Specifications are available on our web site.

Old Town Fiberglass, Inc.

767 North Hariton Street

Orange, CA 92868-4015

Tel: 714.633.3732

E-mail: Info@OldTownFiberglass.com

On-line: Oldtownfiberglass.com

Freestanding Planters

Monterey Squares

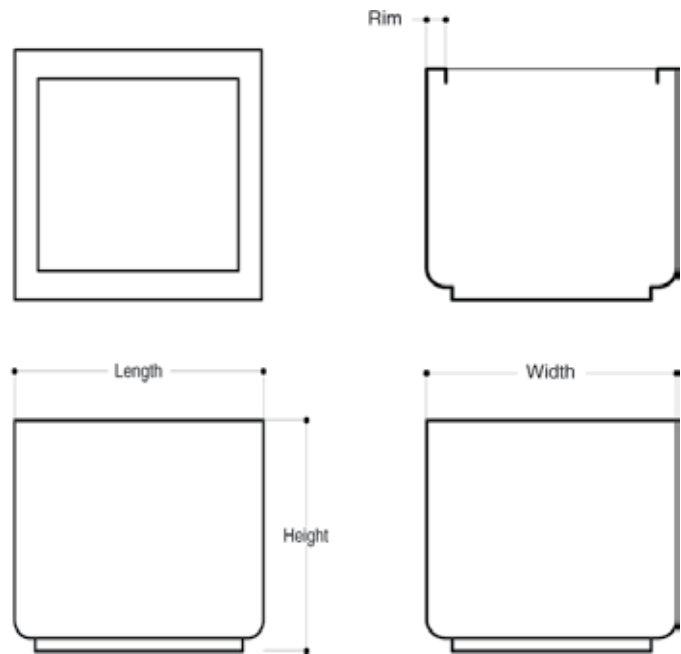


Illustration not to scale

*The fabrication method used in the production of these planters enables us to easily reduce the height of the planter.

Please contact us for details.

Model No.	Length	Width	Height	Rim	Weight
MS3636	36"	36"	36" *	3"	70
MS4836	48"	48"	36" *	4-½"	104

Note:

Please contact us if you don't see the shape or size of planter you need—we welcome custom orders. Planter irrigation and custom internal modifications available. All orders are subject to the Terms and Conditions outlined in this Price List. Specifications are available on our web site.

Old Town Fiberglass, Inc.

767 North Hariton Street

Orange, CA 92868-4015

Tel: 714.633.3732

E-mail: Info@OldTownFiberglass.com

On-line: Oldtownfiberglass.com

Freestanding Planters

Cardiff

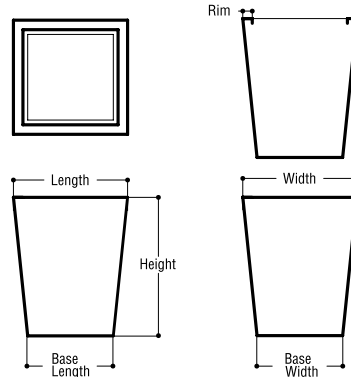


Illustration not to scale

Model No.	OVERALL		BASE		Height	Rim	Weight
	Length	Width	Length	Width			
CF1632	16"	16"	11-1/2"	11-1/2"	32"	1"	20
CF1639	16"	16"	10-1/2"	10-1/2"	39"	1-1/2"	25
CF2019	20"	20"	13"	13"	19"	2"	18
CF2024	20"	20"	14"	14"	24"	2"	22
CF2043	20"	20"	13"	13"	43"	1-1/2"	34
CF2422	24"	24"	19"	19"	22"	2"	27
CF2432	24"	24"	19"	19"	32"	2"	37
CF2436	24"	24"	19"	19"	36"	2"	40
CF2442	24"	24"	18"	18"	42"	2"	44
CF2448	24"	24"	17"	17"	48"	2"	48
CF2836	28"	28"	19"	19"	36"	2"	44
CF2860	28"	28"	18"	18"	60"	2-1/2"	66
CF3030	30"	30"	24"	24"	30"	2-1/2"	46
CF3618	36"	36"	23-1/2"	23-1/2"	18"	2-1/2"	50
CF3624	36"	36"	24"	24"	24"	2-1/2"	66
CF3632	36"	36"	26-1/2"	26-1/2"	32"	2-1/2"	56
CF3636	36"	36"	26"	26"	36"	2"	60
CF3642	36"	36"	24"	24"	42"	2-1/2"	65
CF3660	36"	36"	25"	25"	60"	4-1/2"	89
CF4234	42"	42"	34"	34"	34"	2"	70
CF4236F	42"	42"	34"	34"	36"	2"	76
CF4242	42"	42"	32"	32"	42"	4"	86
CF4848	48"	48"	36"	36"	48"	4"	110
CF6042	60"	60"	48"	48"	42"	4"	134
CF7236	72"	72"	60"	60"	36"	4"	155

Note:

Please contact us if you don't see the shape or size of planter you need—we welcome custom orders. Planter irrigation and custom internal modifications available. All orders are subject to the Terms and Conditions outlined in this Price List. Specifications are available on our web site.

Old Town Fiberglass, Inc.

767 North Hariton Street
Orange, CA 92868-4015

Tel: 714.633.3732

E-mail: Info@OldTownFiberglass.com

On-line: Oldtownfiberglass.com

Matching Trash Receptacle Available.

Freestanding Planters

Cardiff Rectangle

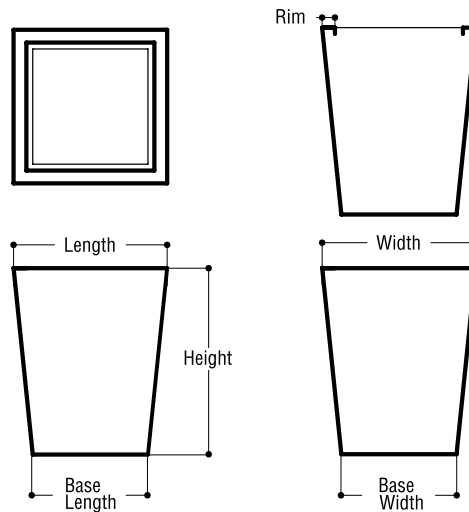


Illustration not to scale

Model No.	OVERALL		BASE		Height	Rim	Weight
	Length	Width	Length	Width			
CF361818	36"	18"	32"	14"	18"	2"	28
CF421216	42"	12"	36"	8"	16"	1-½"	23
CF421818	42"	18"	38"	14"	18"	2"	31
CF481224	48"	12"	44-½"	8"	24"	1-½"	36
CF481824	48"	18"	42"	15"	24"	1-½"	42
CF482430	48"	24"	38"	14"	30"	2"	72
CF601424	60"	14"	55"	12"	24"	1-½"	48
CF961512	96"	15"	90"	10"	12"	1-½"	44

Note:

Please contact us if you don't see the shape or size of planter you need—we welcome custom orders. Planter irrigation and custom internal modifications available. All orders are subject to the Terms and Conditions outlined in this Price List. Specifications are available on our web site.

Old Town Fiberglass, Inc.

767 North Hariton Street

Orange, CA 92868-4015

Tel: 714.633.3732

E-mail: Info@OldTownFiberglass.com

On-line: Oldtownfiberglass.com

Freestanding Planters

Trafalgar

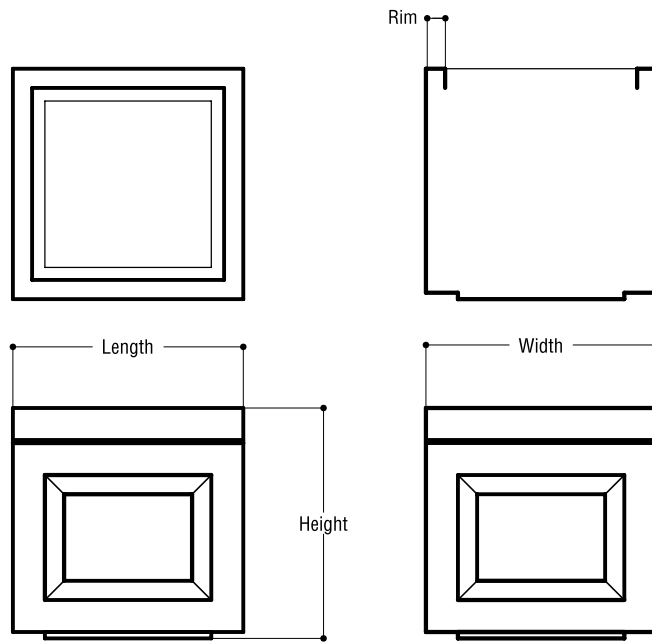


Illustration not to scale

Model No.	Length	Width	Height	Rim	Weight
TF1215	12"	12"	15"	1"	13
TF1518	15"	15"	18"	1"	19
TF1821	18"	18"	21"	2"	26
TF2429	24"	24"	29"	2"	45
TF3636	36"	36"	36"	3"	84
TF4848	48"	48"	48"	3"	144

Note:

Please contact us if you don't see the shape or size of planter you need—we welcome custom orders. Planter irrigation and custom internal modifications available. All orders are subject to the Terms and Conditions outlined in this Price List. Specifications are available on our web site.

Old Town Fiberglass, Inc.

767 North Hariton Street

Orange, CA 92868-4015

Tel: 714.633.3732

E-mail: Info@OldTownFiberglass.com

On-line: Oldtownfiberglass.com

Freestanding Planters

Versailles Orangerie

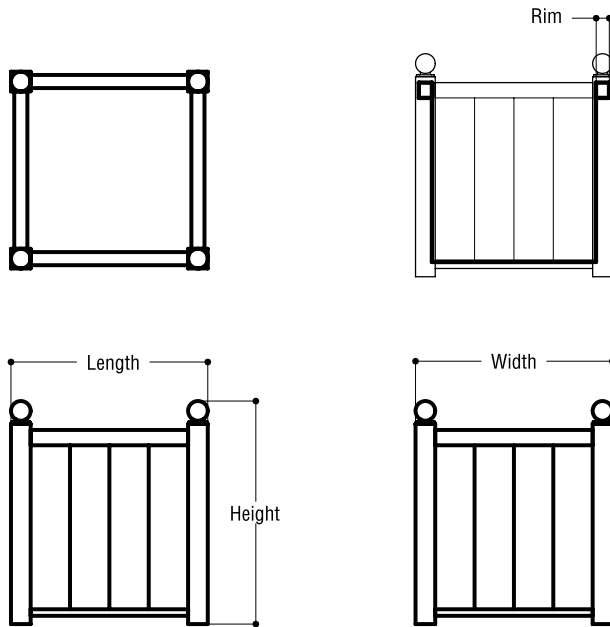


Illustration not to scale

Model No.	Length	Width	Height	Rim	Weight
VS2522	25"	25"	22"	1-1/2"	43
VS3034	30"	30"	34"	2"	70

Note:

Please contact us if you don't see the shape or size of planter you need—we welcome custom orders. Planter irrigation and custom internal modifications available. All orders are subject to the Terms and Conditions outlined in this Price List. Specifications are available on our web site.

Old Town Fiberglass, Inc.

767 North Hariton Street
 Orange, CA 92868-4015
 Tel: 714.633.3732
 E-mail: Info@OldTownFiberglass.com
 On-line: Oldtownfiberglass.com

Freestanding Planters

Sonoma

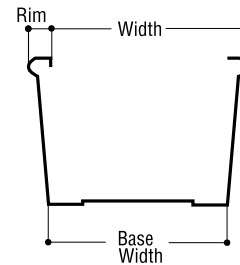
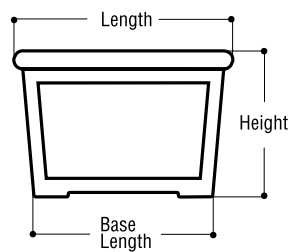
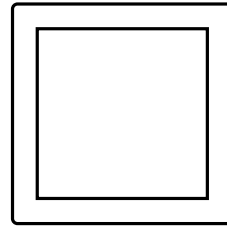


Illustration not to scale

Model No.	OVERALL		BASE		Height	Rim	Weight
	Length	Width	Length	Width			
S04832	48"	48"	39"	39"	32"	6-1/4"	120

Note:

Please contact us if you don't see the shape or size of planter you need—we welcome custom orders. Planter irrigation and custom internal modifications available. All orders are subject to the Terms and Conditions outlined in this Price List. Specifications are available on our web site.

Old Town Fiberglass, Inc.

767 North Hariton Street

Orange, CA 92868-4015

Tel: 714.633.3732

E-mail: Info@OldTownFiberglass.com

On-line: Oldtownfiberglass.com

Freestanding Planters

Hampton Square

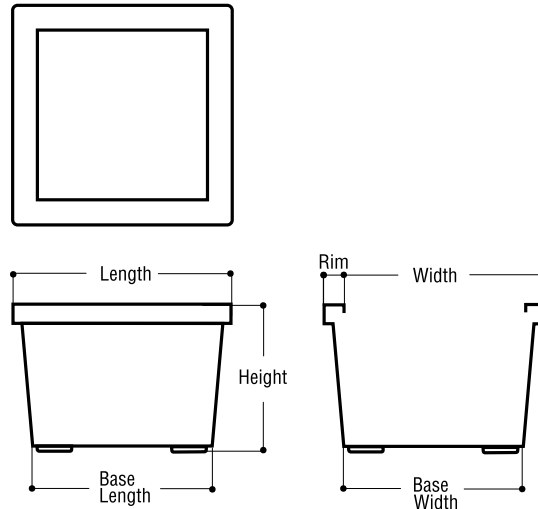


Illustration not to scale

Model No.	Length	Width	Length (Base)	Width (Base)	Height	Rim	Weight
HS3023	30"	30"	25"	25"	23"	2-1/2"	38
HS362628	36"	26"	30"	20"	28"	4"	45
HS3628	36"	36"	30"	30"	28"	4"	56
HS4236	42"	42"	36"	36"	36"	4"	83

Note:

Please contact us if you don't see the shape or size of planter you need—we welcome custom orders. Planter irrigation and custom internal modifications available. All orders are subject to the Terms and Conditions outlined in this Price List. Specifications are available on our web site.

Old Town Fiberglass, Inc.

767 North Hariton Street

Orange, CA 92868-4015

Tel: 714.633.3732

E-mail: Info@OldTownFiberglass.com

On-line: Oldtownfiberglass.com

Freestanding Planters

Rectangles - Standard

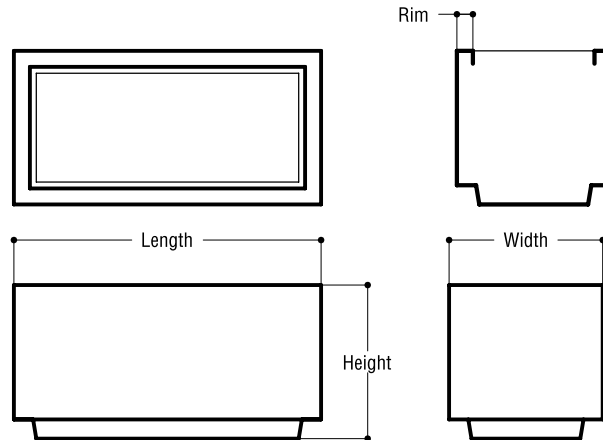


Illustration not to scale

*The fabrication method used in the production of these planters enables us to easily reduce the height of the planter.

All are available with a flat/flush bottom.

Note:

Please contact us if you don't see the shape or size of planter you need—we welcome custom orders. Planter irrigation and custom internal modifications available. All orders are subject to the Terms and Conditions outlined in this Price List. Specifications are available on our web site.

Old Town Fiberglass, Inc.

767 North Hariton Street
Orange, CA 92868-4015

Tel: 714.633.3732

E-mail: Info@OldTownFiberglass.com

On-line: Oldtownfiberglass.com

Model No.	Length	Width	Height	Rim	Weight
RL361212	36"	12"	12" *	1-½"	28
RL361222	36"	12"	22" *	1-½"	41
RL361522	36"	15"	22" *	1-½"	45
RL361824	36"	18"	24" *	2"	51
RL362418	36"	24"	18" *	2-½"	49
RL362424	36"	24"	24" *	2-½"	60
RL362430	36"	24"	30" *	2-½"	70
RL481224	48"	12"	24" *	1-¼"	56
RL481228	48"	12"	28" *	1-¼"	62
RL481524	48"	15"	24" *	1-¾"	60
RL481542	48"	15"	42" *	1-¾"	90
RL481818	48"	18"	18" *	2"	53
RL481824	48"	18"	24" *	2"	66
RL482424	48"	24"	24" *	2-½"	73
RL482430	48"	24"	30" *	2-½"	85
RL482442	48"	24"	42" *	2-½"	96
RL482448	48"	24"	48" *	2-½"	121
RL483036	48"	30"	36" *	3"	95
RL483644	48"	36"	44" *	3"	138
RL483648	48"	36"	48" *	3"	129
RL601234	60"	12"	34" *	1-½"	85
RL601522	60"	15"	22" *	1-½"	66
RL601524	60"	15"	24" *	1-½"	70
RL601812	60"	18"	12" *	2"	50
RL601842	60"	18"	42" *	2"	110
RL602424	60"	24"	24" *	2-½"	86

Freestanding Planters

Rectangles- Standard



*The fabrication method used in the production of these planters enables us to easily reduce the height of the planter.

Note:

Please contact us if you don't see the shape or size of planter you need—we welcome custom orders. Planter irrigation and custom internal modifications available. All orders are subject to the Terms and Conditions outlined in this Price List. Specifications are available on our web site.

Old Town Fiberglass, Inc.

767 North Hariton Street
Orange, CA 92868-4015
Tel: 714.633.3732

E-mail: Info@OldTownFiberglass.com
On-line: Oldtownfiberglass.com

Model No.	Length	Width	Height	Rim	Weight
RL602430	60"	24"	30" *	2-½"	100
RL602436	60"	24"	36" *	2-½"	114
RL602442	60"	24"	42" *	2-½"	128
RL603042	60"	30"	42" *	3"	142
RL603648	60"	36"	48" *	3"	150
RL721418	72"	14"	18" *	2"	67
RL721522	72"	15"	22" *	2"	78
RL721530	72"	15"	30" *	2"	97
RL721816	72"	18"	16" *	3"	70
RL721836	72"	18"	36" *	3"	120
RL722424	72"	24"	24" *	2-¼"	99
RL722430	72"	24"	30" *	2-¼"	115
RL722436	72"	24"	36" *	2-¼"	131
RL722442	72"	24"	42" *	2-¼"	147
RL723030	72"	30"	30" *	3"	129
RL723042	72"	30"	42" *	3"	163
RL723636	72"	36"	36" *	3"	159
RL723648	72"	36"	48" *	3"	170
RL842442	84"	24"	42" *	3"	167
RL961824	96"	18"	24"*	2"	113
RL961834	96"	18"	34"*	2"	144
RL961842	96"	18"	42"*	2"	175
RL962418	96"	24"	18" *	2-½"	107
RL962424	96"	24"	24" *	2-½"	127
RL962430	96"	24"	30" *	2-½"	147
RL962436	96"	24"	36" *	2-½"	167
RL962438	96"	24"	38" *	2-½"	174
RL963036	96"	30"	36" *	2-½"	137
RL963648	96"	36"	48" *	3"	212
RL1081836	108"	18"	36" *	2"	146
RL1082436	108"	24"	36" *	2"	139
RL1082442	108"	24"	42" *	3"	182
RL1083642	108"	36"	42" *	3"	211
RL1201816	120"	18"	16" *	2"	1120
RL1201836	120"	18"	36" *	2"	162

Freestanding Planters

Arizona Planter

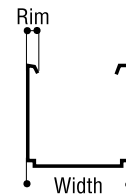
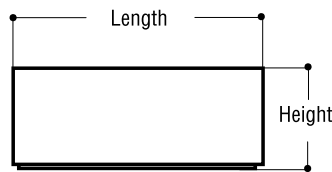
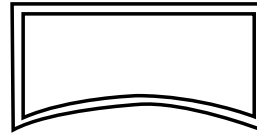


Illustration not to scale

Model No.	Length	Width	Height	Rim	Weight
CBCAVE	60"	30"	24"	2"	98

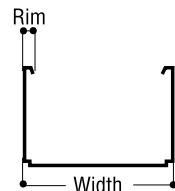
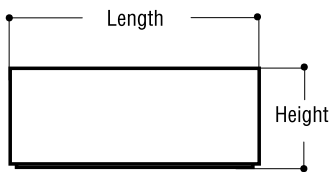


Illustration not to scale

Model No.	Length	Width	Height	Rim	Weight
CBVEX	60"	30"	24"	2"	92

Note:

Please contact us if you don't see the shape or size of planter you need—we welcome custom orders. Planter irrigation and custom internal modifications available. All orders are subject to the Terms and Conditions outlined in this Price List. Specifications are available on our web site.

Old Town Fiberglass, Inc.

767 North Hariton Street
Orange, CA 92868-4015

Tel: 714.633.3732

E-mail: Info@OldTownFiberglass.com

On-line: Oldtownfiberglass.com

Freestanding Planters

Sunset

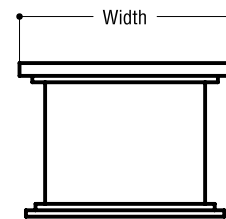
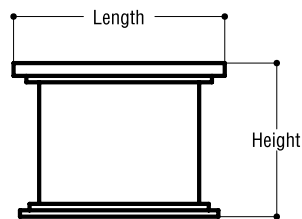
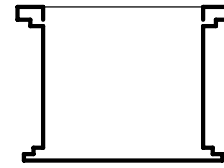
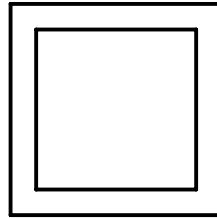


Illustration not to scale

Model No.	Length	Width	Height	Rim	Weight
SN242424	24"	24"	24"	2-½"	40
SN363624	36"	36"	24"	2-½"	65
SN431612	43"	16"	12"	4"	31
SN431824	43"	18"	24"	4"	50
SN603633	60"	36"	33"	3-¾"	133

Note:

Please contact us if you don't see the shape or size of planter you need—we welcome custom orders. Planter irrigation and custom internal modifications available. All orders are subject to the Terms and Conditions outlined in this Price List. Specifications are available on our web site.

Old Town Fiberglass, Inc.

767 North Hariton Street

Orange, CA 92868-4015

Tel: 714.633.3732

E-mail: Info@OldTownFiberglass.com

On-line: Oldtownfiberglass.com

Freestanding Planters

Mediterranean-Squares/Rectangles

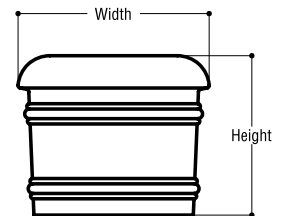
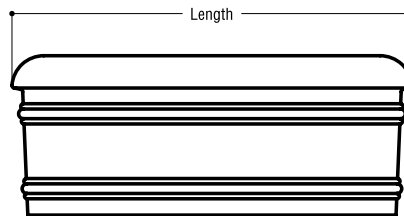
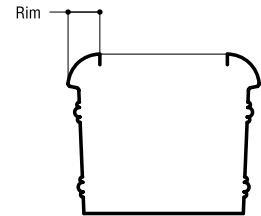
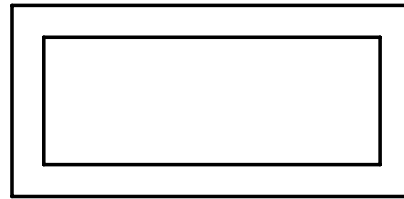


Illustration not to scale

Note:

Please contact us if you don't see the shape or size of planter you need—we welcome custom orders. Planter irrigation and custom internal modifications available. All orders are subject to the Terms and Conditions outlined in this Price List. Specifications are available on our web site.

Old Town Fiberglass, Inc.

767 North Hariton Street

Orange, CA 92868-4015

Tel: 714.633.3732

E-mail: Info@OldTownFiberglass.com

On-line: Oldtownfiberglass.com

Squares

Model No.	Length	Width	Height	Rim	Weight
MT242427	24"	24"	27"	5"	49
MT242436	24"	24"	36"	5"	60
MT363627	36"	36"	27"	5"	78
MT484832	48"	48"	32"	5"	122
MT727236	72"	72"	36"	5"	216
MT727242	72"	72"	42"	5"	239

Matching Trash Receptacle Available.

Rectangles

Model No.	Length	Width	Height	Rim	Weight
MT482121	48"	21"	21"	5"	61
MT602121	60"	21"	21"	5"	73
MT722121	72"	21"	21"	5"	84
MT723232	72"	32"	32"	5"	130
MT843232	84"	32"	32"	5"	146
MT1203232	120"	32"	32"	5"	195

Freestanding Planters

Surf

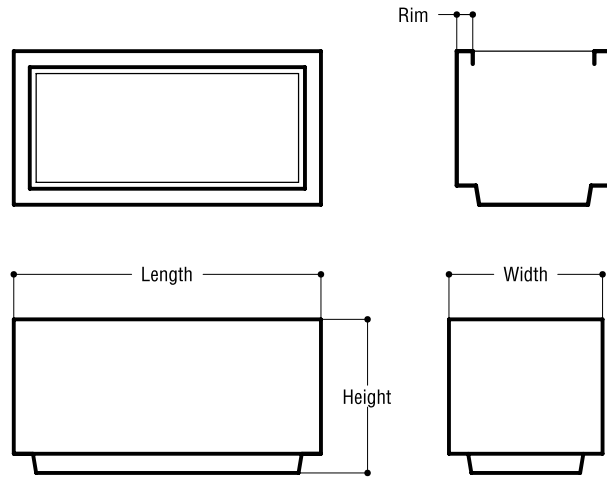


Illustration not to scale

Model No.	Length	Width	Height	Rim	Weight
SR481824	48"	18"	24"	1-1/2"	62
SR721824	72"	18"	24"	1-1/2"	87

Matching Trash Receptacle Available.

Note:

Please contact us if you don't see the shape or size of planter you need—we welcome custom orders. Planter irrigation and custom internal modifications available. All orders are subject to the Terms and Conditions outlined in this Price List. Specifications are available on our web site.

Old Town Fiberglass, Inc.

767 North Hariton Street
Orange, CA 92868-4015

Tel: 714.633.3732

E-mail: Info@OldTownFiberglass.com

On-line: Oldtownfiberglass.com

Freestanding Planters

Square With Feet

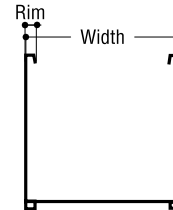
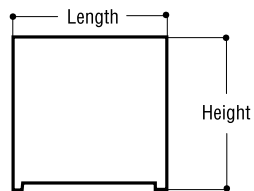
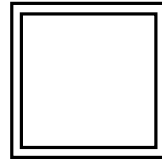


Illustration not to scale

Model No.	Length	Width	Height	Rim	Weight
PPSL2424	24"	24"	24"	2"	34
PPSL2445	24"	24"	45"	2"	46
PPSL3232	32"	32"	32"	2"	59
PPSL3245	32"	32"	45"	2"	72

Note:

Please contact us if you don't see the shape or size of planter you need—we welcome custom orders. Planter irrigation and custom internal modifications available. All orders are subject to the Terms and Conditions outlined in this Price List. Specifications are available on our web site.

Old Town Fiberglass, Inc.

767 North Hariton Street

Orange, CA 92868-4015

Tel: 714.633.3732

E-mail: Info@OldTownFiberglass.com

On-line: Oldtownfiberglass.com

Freestanding Planters

Square Wind

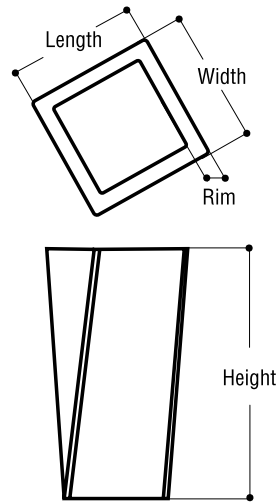


Illustration not to scale

Model No.	Length	Width	Height	Rim	Weight
PPSW1740	17"	17"	40"	2"	34

Note:

Please contact us if you don't see the shape or size of planter you need—we welcome custom orders. Planter irrigation and custom internal modifications available. All orders are subject to the Terms and Conditions outlined in this Price List. Specifications are available on our web site.

Old Town Fiberglass, Inc.

767 North Hariton Street

Orange, CA 92868-4015

Tel: 714.633.3732

E-mail: Info@OldTownFiberglass.com

On-line: Oldtownfiberglass.com

Freestanding Planters

Tapered SQ Planter

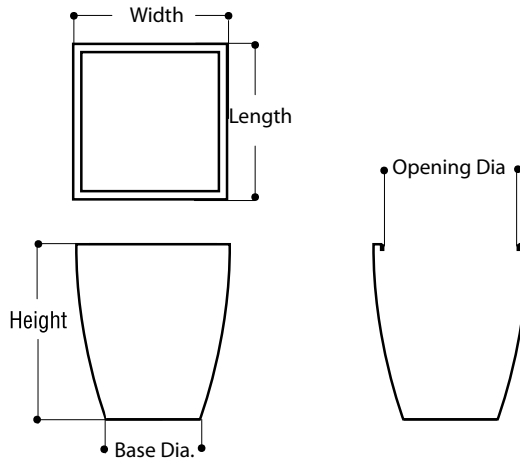


Illustration not to scale

Tapered Squares

Model No.	Length	Width	Length (Base)	Width	Height	Rim	Weight
STP1640	16"	16"	10-1/2"	10-1/2"	40"	1"	25
STP2430	24"	24"	16"	16"	30"	1"	40
STP2836	28"	28"	20"	20"	36"	3"	46

Matching Trash Receptacle Available.

Tapered Rectangle

Model No.	Length	Width	Length	Width	Height	Rim	Weight
STP701522	70"	15"	58-1/2"	8-1/2"	22"	1-1/2"	46

Note:

Please contact us if you don't see the shape or size of planter you need—we welcome custom orders. Planter irrigation and custom internal modifications available. All orders are subject to the Terms and Conditions outlined in this Price List. Specifications are available on our web site.

Old Town Fiberglass, Inc.

767 North Hariton Street

Orange, CA 92868-4015

Tel: 714.633.3732

E-mail: Info@OldTownFiberglass.com

On-line: Oldtownfiberglass.com

Freestanding Planters

Empire Planter



Model No.	Length	Width	Height	Rim	Weight
EM481224	48"	12"	24"	1"	65
EM601224	60"	12"	24"	1"	85
EM721224	72"	12"	24"	1"	100
EM961224	96"	12"	24"	1"	120

Note:

Please contact us if you don't see the shape or size of planter you need—we welcome custom orders. Planter irrigation and custom internal modifications available. All orders are subject to the Terms and Conditions outlined in this Price List. Specifications are available on our web site.

Old Town Fiberglass, Inc.

767 North Hariton Street
Orange, CA 92868-4015

Tel: 714.633.3732

E-mail: Info@OldTownFiberglass.com

On-line: Oldtownfiberglass.com

Freestanding Planters

Valtos

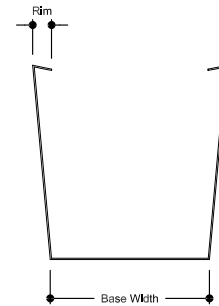
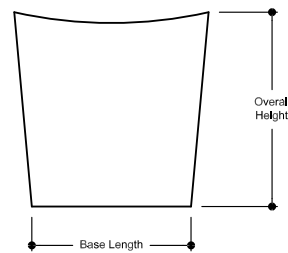
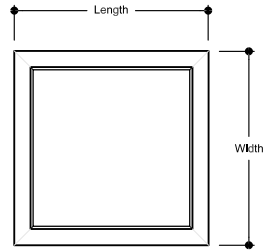


Illustration not to scale

Model No.	Length	Width	Length (Base)	Width (Base)	Height	Rim	Weight
VA3636	36"	36"	29-1/2"	29-1/2"	36"	3"	103

Note:

Please contact us if you don't see the shape or size of planter you need—we welcome custom orders. Planter irrigation and custom internal modifications available. All orders are subject to the Terms and Conditions outlined in this Price List. Specifications are available on our web site.

Old Town Fiberglass, Inc.

767 North Hariton Street

Orange, CA 92868-4015

Tel: 714.633.3732

E-mail: Info@OldTownFiberglass.com

On-line: Oldtownfiberglass.com

Freestanding Planters

Triangles

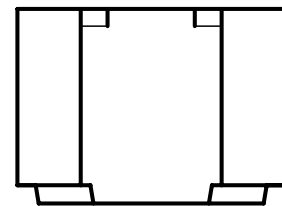
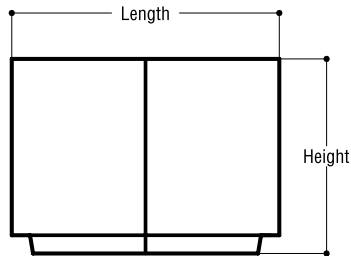
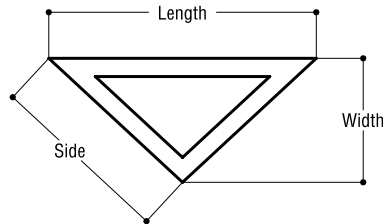


Illustration not to scale

*The fabrication method used in the production of these planters enables us to easily reduce the height of the planter. A reduction in height at the time of order may not require an upcharge. Please contact us for details.

Model No.	Length	Width	Side	Height	Rim	Weight
TGL3424	34"	17"	24"	16" *	3"	28
TGL3626	36"	18- ³ / ₄ "	26"	16" *	3"	30
TGL4430	44"	20- ¹ / ₂ "	30"	32" *	3"	60
TGL7756	77"	40- ³ / ₄ "	56"	36" *	4"	134

Note:

Please contact us if you don't see the shape or size of planter you need—we welcome custom orders. Planter irrigation and custom internal modifications available. All orders are subject to the Terms and Conditions outlined in this Price List. Specifications are available on our web site.

Old Town Fiberglass, Inc.

767 North Hariton Street

Orange, CA 92868-4015

Tel: 714.633.3732

E-mail: Info@OldTownFiberglass.com

On-line: Oldtownfiberglass.com

Freestanding Planters

Trestles

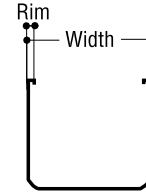
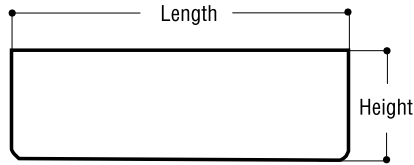


Illustration not to scale

Model No.	Length	Width	Height	Rim	Weight
TS562018	56"	20"	18"	1"	30

Note:

Please contact us if you don't see the shape or size of planter you need—we welcome custom orders. Planter irrigation and custom internal modifications available. All orders are subject to the Terms and Conditions outlined in this Price List. Specifications are available on our web site.

Old Town Fiberglass, Inc.

767 North Hariton Street
 Orange, CA 92868-4015
 Tel: 714.633.3732
 E-mail: Info@OldTownFiberglass.com
 On-line: Oldtownfiberglass.com

Freestanding Planters

Bermuda

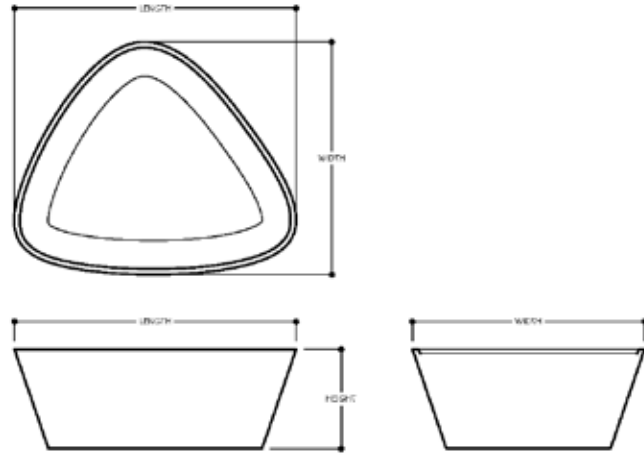


Illustration not to scale

Model No.	Length	Width	Height	Rim	Weight
BR6856	68"	56.5"	24"	2.25"	70
BR10284	102"	84"	36"	2.25"	230

Note:

Please contact us if you don't see the shape or size of planter you need—we welcome custom orders. Planter irrigation and custom internal modifications available. All orders are subject to the Terms and Conditions outlined in this Price List. Specifications are available on our web site.

Old Town Fiberglass, Inc.

767 North Hariton Street

Orange, CA 92868-4015

Tel: 714.633.3732

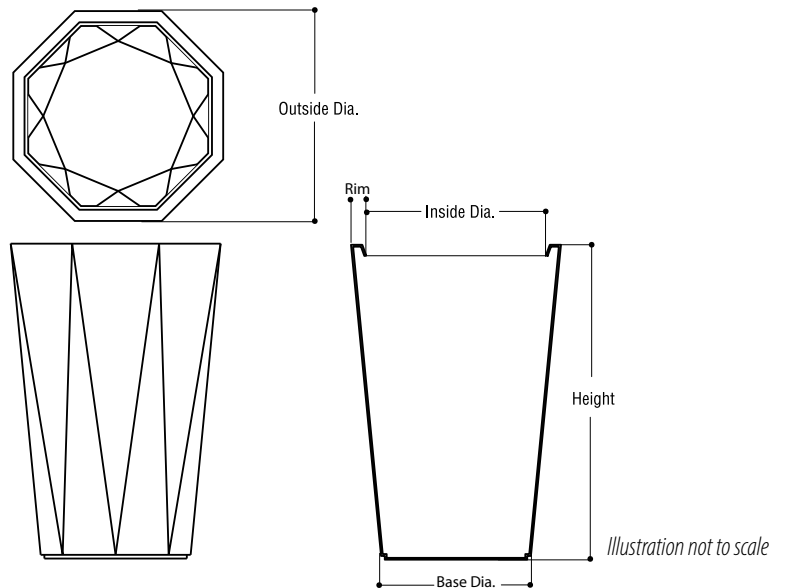
E-mail: Info@OldTownFiberglass.com

On-line: Oldtownfiberglass.com

TR3 BACK: NO PRINTING

Freestanding Planters

Crystal



Model No.	Outside Dia	Inside Dia	Base Dia	Height	Rim	Weight
CT1818	18"	16"	10-1/2"	18"	1-1/2"	13
CT1825	18"	15"	11-3/8"	25"	1-1/2"	19
CT1938	19"	17"	25"	38"	1-1/2"	26
CT2630	26"	23"	16-1/2"	30"	1-1/2"	31
CT2842	28"	25"	18-1/2"	42"	1-1/2"	44

Note:

Please contact us if you don't see the shape or size of planter you need—we welcome custom orders. Planter irrigation and custom internal modifications available. All orders are subject to the Terms and Conditions outlined in this Price List. Specifications are available on our web site.

Old Town Fiberglass, Inc.

767 North Hariton Street

Orange, CA 92868-4015

Tel: 714.633.3732

E-mail: Info@OldTownFiberglass.com

On-line: Oldtownfiberglass.com

Freestanding Planters

Prism

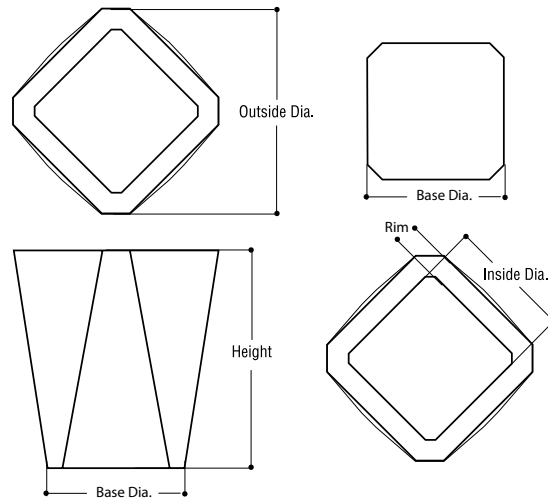


Illustration not to scale



Prism Rectangle

Model No.	Length	Width	Base	Height	Rim	Weight
PR1850	18"	18"	15"	50"	3"	41
PR2418	24"	24"	22"	18"	3"	26
PR2432	24"	24"	20"	32"	3"	38
PR3642	36"	36"	31"	42"	3"	75
PRS2418	24"	24"	22"	18"	0"	29
PR722224	72"	22"	64"	24"	1-1/2"	63

Matching Trash Receptacle Available.

Designed By:

Mia Lehrer + Associates

Note:

Please contact us if you don't see the shape or size of planter you need—we welcome custom orders. Planter irrigation and custom internal modifications available. All orders are subject to the Terms and Conditions outlined in this Price List. Specifications are available on our web site.

Old Town Fiberglass, Inc.

767 North Hariton Street
Orange, CA 92868-4015

Tel: 714.633.3732

E-mail: Info@OldTownFiberglass.com

On-line: Oldtownfiberglass.com

Freestanding Planters

Hexagons

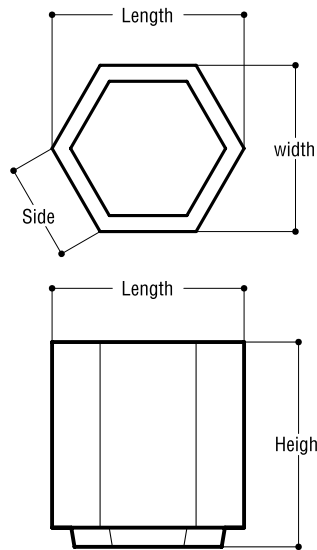


Illustration not to scale

*The fabrication method used in the production of these planters enables us to easily reduce the height of the planter. A reduction in height at the time of order may not require an upcharge. Please contact us for details.

Model No.	Length	Width	Side	Height	Rim	Weight
HX1006	20"	17- ⁵ / ₁₆ "	10"	6" *	2- ¹ / ₂ "	11
HX1532	30"	25- ¹ / ₄ "	15"	32" *	2- ¹ / ₂ "	51
HX1626	32"	27- ¹¹ / ₁₆ "	16"	26" *	2- ¹ / ₂ "	47
HX2125	42"	36- ³ / ₈ "	21"	25" *	2- ¹ / ₂ "	64
HX2648	52"	45"	26"	48" *	2- ¹ / ₂ "	134
HX4234	84"	72- ³ / ₄ "	42"	34" *	2- ¹ / ₂ "	191

Note:

Please contact us if you don't see the shape or size of planter you need—we welcome custom orders. Planter irrigation and custom internal modifications available. All orders are subject to the Terms and Conditions outlined in this Price List. Specifications are available on our web site.

Old Town Fiberglass, Inc.

767 North Hariton Street
Orange, CA 92868-4015

Tel: 714.633.3732

E-mail: Info@OldTownFiberglass.com

On-line: Oldtownfiberglass.com

Freestanding Planters

Diamond

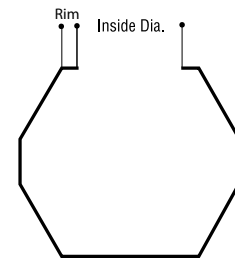
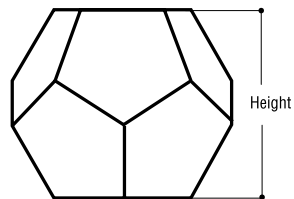
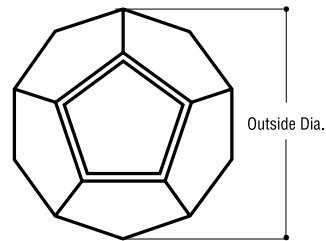


Illustration not to scale

Model No.	Outside Dia.	Inside Dia.	Height	Rim	Weight
DI3025	30"	18"	25"	1"	26

Note:

Please contact us if you don't see the shape or size of planter you need—we welcome custom orders. Planter irrigation and custom internal modifications available. All orders are subject to the Terms and Conditions outlined in this Price List. Specifications are available on our web site.

Old Town Fiberglass, Inc.

767 North Hariton Street

Orange, CA 92868-4015

Tel: 714.633.3732

E-mail: Info@OldTownFiberglass.com

On-line: Oldtownfiberglass.com

Freestanding Planters

La Jolla

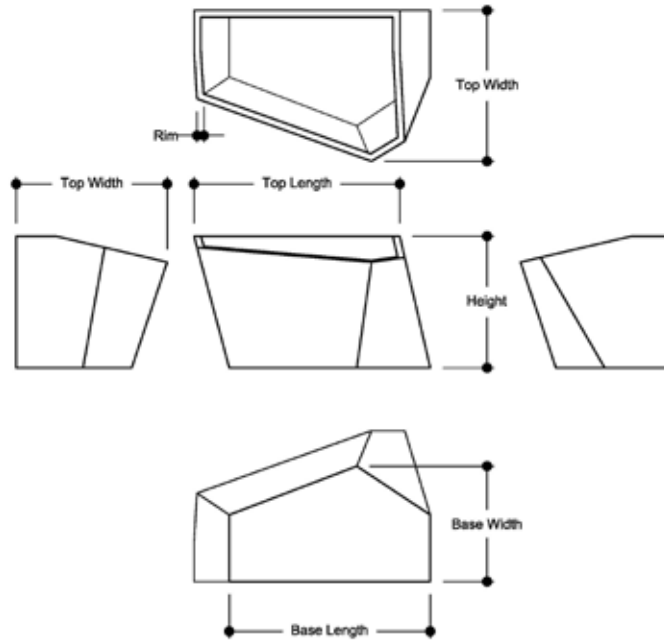


Illustration not to scale

Model No.	Length	Width	Length (Base)	Width (Base)	Height	Rim	Weight
LJ322320	31-1/4"	23"	30-1/2"	17-1/2"	20"	1"	19

Note:

Please contact us if you don't see the shape or size of planter you need—we welcome custom orders. Planter irrigation and custom internal modifications available. All orders are subject to the Terms and Conditions outlined in this Price List. Specifications are available on our web site.

Old Town Fiberglass, Inc.

767 North Hariton Street

Orange, CA 92868-4015

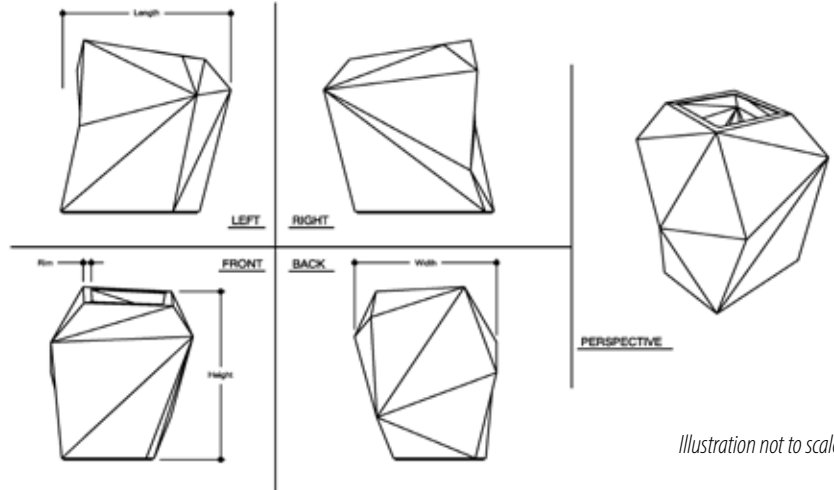
Tel: 714.633.3732

E-mail: Info@OldTownFiberglass.com

On-line: Oldtownfiberglass.com

Freestanding Planters

Del Rey



Model No.	Length	Width	Base Length	Base Width	Height	Rim	Weight
DR6470	64"	53"	42"	30"	70"	3"	250

Note:

Please contact us if you don't see the shape or size of planter you need—we welcome custom orders. Planter irrigation and custom internal modifications available. All orders are subject to the Terms and Conditions outlined in this Price List. Specifications are available on our web site.

Old Town Fiberglass, Inc.

767 North Hariton Street
Orange, CA 92868-4015

Tel: 714.633.3732

E-mail: Info@OldTownFiberglass.com

On-line: Oldtownfiberglass.com

Freestanding Planters

Ponto

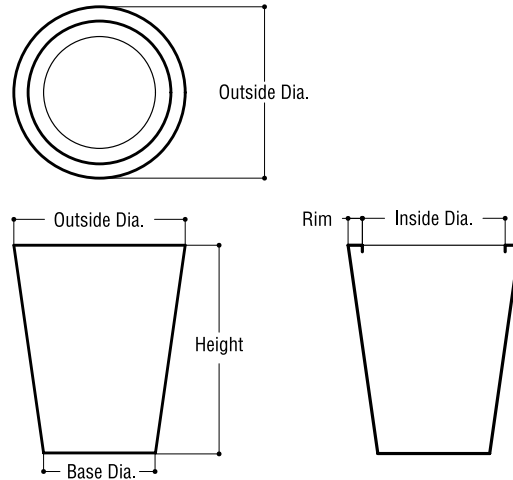


Illustration not to scale

Model No.	Outside Dia.	Inside Dia.	Base Dia.	Height	Rim	Weight
PCL0911	9"	6-½"	6"	11"	1"	4
PCL1024	10"	8"	6-¾"	24"	¾"	10
PCL1218	12"	10"	7"	18"	1"	9
PCL1826	18"	14-¼"	10"	26"	1-½"	19
PCL1836	18"	14-¼"	14"	36"	1-½"	25
PCL2432	24"	20"	14"	32"	2"	30
PCL2460	24"	20"	15"	60"	2"	52
PCL3026	30"	24"	20"	26"	3"	34
PCL3032	30"	26"	21"	32"	2"	39
PCL3036	30"	24"	20"	36"	3"	43
PCL3242	32"	28"	20"	42"	2"	64
PCL3632	36"	30"	23-½"	31-½"	3"	47
PCL3939	39"	29"	27"	39"	5"	64
PCL3939FL*	39"	29"	27"	30"	5"	64
PCL3942F	39"	29"	26"	42"	5"	67
PCL5048	50"	39"	34"	48"	4-½"	95
PCL6042	60"	49"	38"	42"	5-½"	110

Note:

Please contact us if you don't see the shape or size of planter you need—we welcome custom orders. Planter irrigation and custom internal modifications available. All orders are subject to the Terms and Conditions outlined in this Price List. Specifications are available on our web site.

Old Town Fiberglass, Inc.

767 North Hariton Street

Orange, CA 92868-4015

Tel: 714.633.3732

E-mail: Info@OldTownFiberglass.com

On-line: Oldtownfiberglass.com

Matching Trash Receptacle Available.

* with forklift access

Freestanding Planters

Malibu



Designed By:
Mia Lehrer + Associates

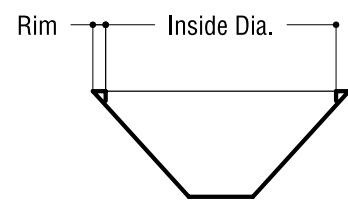
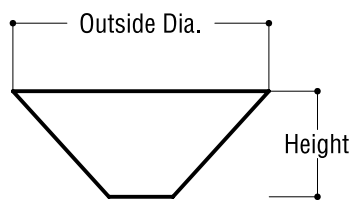
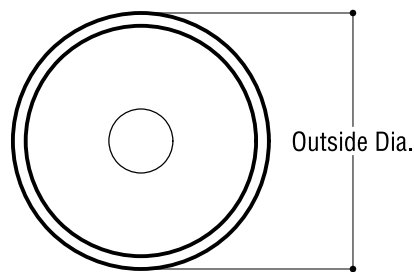


Illustration not to scale

Model No.	Outside Dia.	Inside Dia.	Height	Rim	Weight
MLB1618	16"	11"	18"	2-½"	10
MLB1813	18"	12-½"	13"	2-½"	10
MLB2108	21"	15"	8"	2-½"	11
MLB2416	24"	19"	16"	1-½"	13
MLB3608	36"	30-1/2"	8"	2-½"	24
MLB3618	36"	31"	18"	1-½"	24
MLB4810	48"	40-1/2"	10"	3-½"	41
MLB6215	62"	56"	15"	3"	59
ML4016	40"	36"	16"	2"	34
ML5217	52"	48"	17"	2"	52
ML5224	52"	44"	24"	4"	60

Note:

Please contact us if you don't see the shape or size of planter you need—we welcome custom orders. Planter irrigation and custom internal modifications available. All orders are subject to the Terms and Conditions outlined in this Price List. Specifications are available on our web site.

Old Town Fiberglass, Inc.

767 North Hariton Street
Orange, CA 92868-4015

Tel: 714.633.3732

E-mail: Info@OldTownFiberglass.com

On-line: Oldtownfiberglass.com

Freestanding Planters

Rio Angeles



Designed By:
Mia Lehrer + Associates

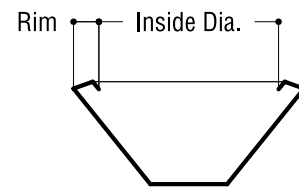
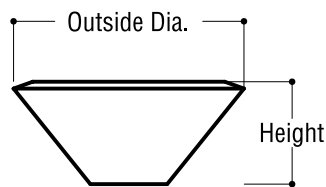
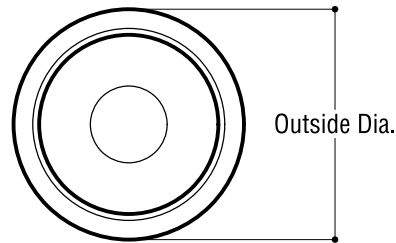


Illustration not to scale

Model No.	Outside Dia.	Inside Dia.	Height	Rim	Weight
ML3016	30"	22"	16"	4"	24
ML4222	42"	32"	22"	4"	36

Note:

Please contact us if you don't see the shape or size of planter you need—we welcome custom orders. Planter irrigation and custom internal modifications available. All orders are subject to the Terms and Conditions outlined in this Price List. Specifications are available on our web site.

Old Town Fiberglass, Inc.

767 North Hariton Street

Orange, CA 92868-4015

Tel: 714.633.3732

E-mail: Info@OldTownFiberglass.com

On-line: Oldtownfiberglass.com

Freestanding Planters

Baja

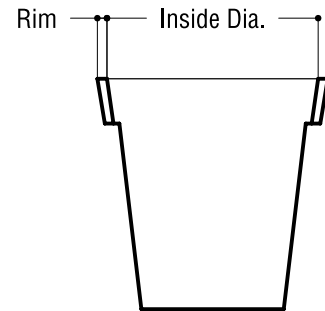
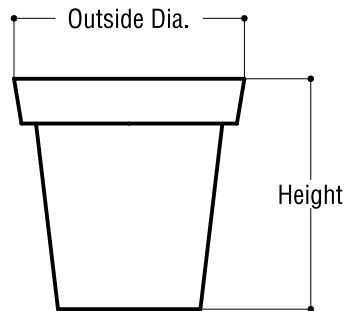
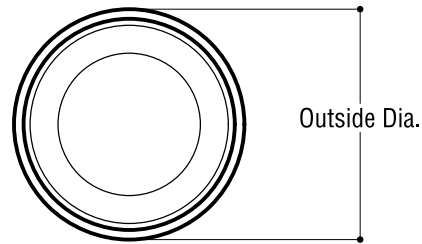


Illustration not to scale

Model No.	Outside Dia.	Inside Dia.	Height	Rim	Weight
BJ2424	24"	19"	24"	1"	20
BJ3636	36"	33"	36"	1-1/2"	50
BJ4848	48"	43-1/4"	48"	2-3/8"	70
BJ6060	60"	54"	60"	3"	138
BJ7260	72"	64"	60"	4"	171
BJ8482	84"	76"	82"	4"	262

Note:

Please contact us if you don't see the shape or size of planter you need—we welcome custom orders. Planter irrigation and custom internal modifications available. All orders are subject to the Terms and Conditions outlined in this Price List. Specifications are available on our web site.

Old Town Fiberglass, Inc.

767 North Hariton Street

Orange, CA 92868-4015

Tel: 714.633.3732

E-mail: Info@OldTownFiberglass.com

On-line: Oldtownfiberglass.com

Freestanding Planters

Milan (Terra Cotta Vase with Garland)

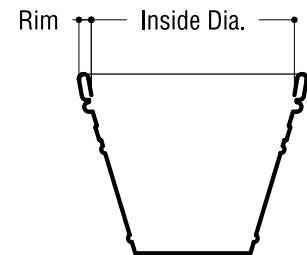
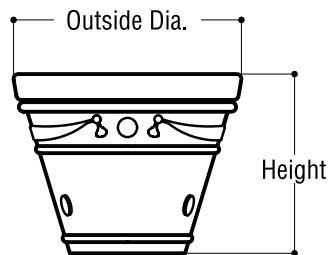
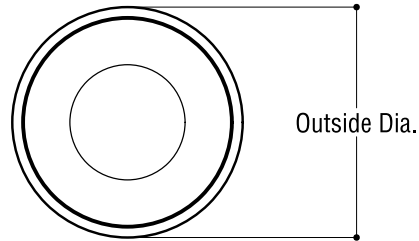


Illustration not to scale

Model No.	Outside Dia.	Inside Dia.	Height	Rim	Weight
ML3125	31"	28"	25"	1-1/2"	32
ML3125G	31"	28"	25"	1-1/2"	35
ML3628	36"	32"	28"	2"	42
ML3628G	36"	32"	28"	2"	46
ML4836	48"	44"	36"	2"	70
ML4836G	48"	44"	36"	2"	77
ML5141	51"	46-1/2"	41"	2-1/4"	84
ML5141G	51"	46-1/2"	41"	2-1/4"	92

Standard is without garland. Garland additional charge

Note:

Please contact us if you don't see the shape or size of planter you need—we welcome custom orders.

Planter irrigation and custom internal modifications available.

All orders are subject to the Terms and Conditions outlined in this Price List. Specifications are available on our web site.

Old Town Fiberglass, Inc.

767 North Hariton Street
Orange, CA 92868-4015

Tel: 714.633.3732

E-mail: Info@OldTownFiberglass.com

On-line: Oldtownfiberglass.com

Freestanding Planters

Caladesi

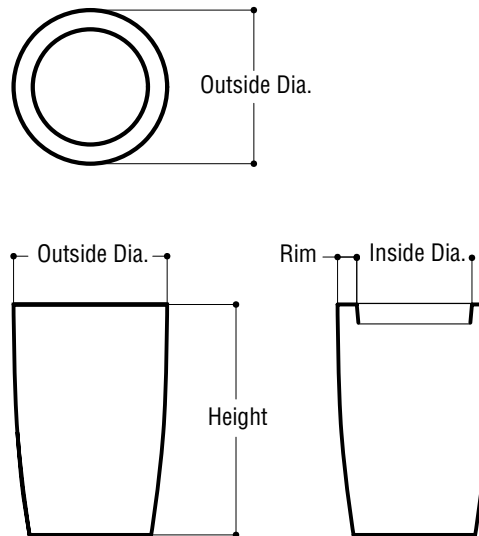


Illustration not to scale

Model No.	Outside Dia.	Inside Dia.	Base Dia.	Height	Rim	Weight
CCL1628	16"	13"	10-½"	28"	1-½"	17
CCL1644	16"	13"	10-½"	44"	1-½"	20
CCL2032	20"	16"	14-½"	32"	2"	25
CCL2344	23"	18"	17"	44"	2-½"	38
CCL2436	24"	18"	19"	36"	3"	35
CCL2472	24"	18"	19"	72"	3"	63

Matching Trash Receptacle Available.

Note:

Please contact us if you don't see the shape or size of planter you need—we welcome custom orders. Planter irrigation and custom internal modifications available. All orders are subject to the Terms and Conditions outlined in this Price List. Specifications are available on our web site.

Old Town Fiberglass, Inc.

767 North Hariton Street
Orange, CA 92868-4015

Tel: 714.633.3732

E-mail: Info@OldTownFiberglass.com

On-line: Oldtownfiberglass.com

Freestanding Planters

Palawan Jar

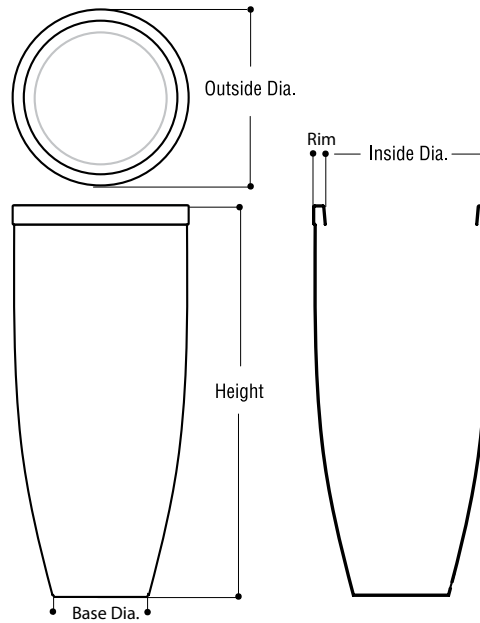


Illustration not to scale

Model No.	Outside Dia.	Inside Dia.	Base Dia.	Height	Rim	Weight
PJ2761	27"	23"	15"	61"	2"	59

Note:

Please contact us if you don't see the shape or size of planter you need—we welcome custom orders. Planter irrigation and custom internal modifications available. All orders are subject to the Terms and Conditions outlined in this Price List. Specifications are available on our web site.

Old Town Fiberglass, Inc.

767 North Hariton Street

Orange, CA 92868-4015

Tel: 714.633.3732

E-mail: Info@OldTownFiberglass.com

On-line: Oldtownfiberglass.com

Freestanding Planters

Bala

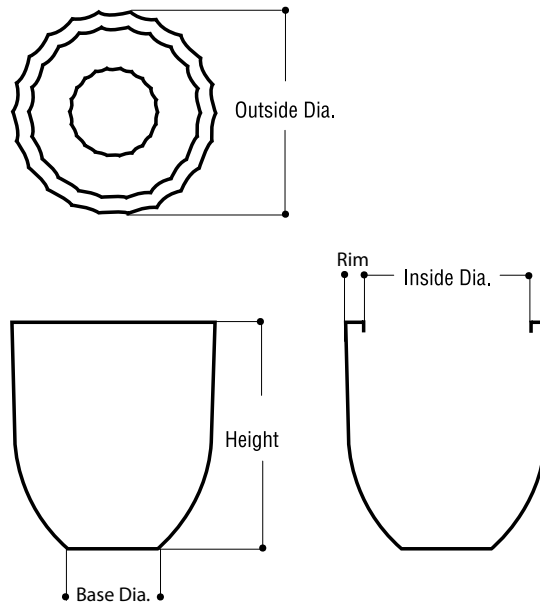


Illustration not to scale

Model No.	Outside Dia.	Inside Dia.	Base Dia.	Height	Rim	Weight
BAL2430	24"	20-1/2"	12"	30"	1-1/2"	28
BAL3640	36"	31"	16"	40"	2-1/2"	56

Note:

Please contact us if you don't see the shape or size of planter you need—we welcome custom orders. Planter irrigation and custom internal modifications available. All orders are subject to the Terms and Conditions outlined in this Price List. Specifications are available on our web site.

Old Town Fiberglass, Inc.

767 North Hariton Street

Orange, CA 92868-4015

Tel: 714.633.3732

E-mail: Info@OldTownFiberglass.com

On-line: Oldtownfiberglass.com

Freestanding Planters

Banderos

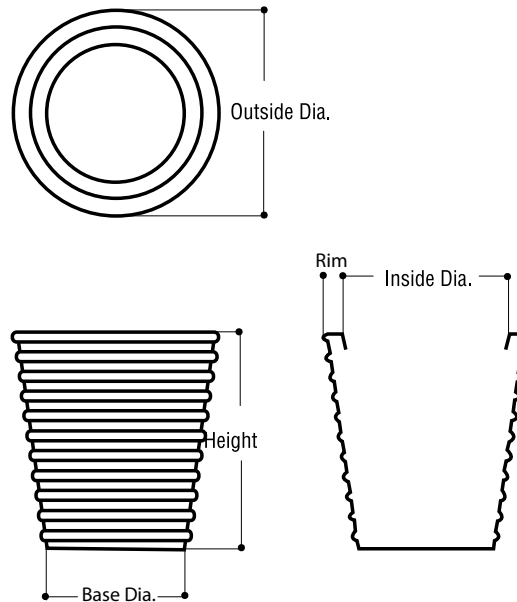


Illustration not to scale

Model No.	Outside Dia.	Inside Dia.	Base Dia.	Height	Rim	Weight
BD3638	36"	28"	24"	38"	4"	75

Note:

Please contact us if you don't see the shape or size of planter you need—we welcome custom orders. Planter irrigation and custom internal modifications available. All orders are subject to the Terms and Conditions outlined in this Price List. Specifications are available on our web site.

Old Town Fiberglass, Inc.

767 North Hariton Street

Orange, CA 92868-4015

Tel: 714.633.3732

E-mail: Info@OldTownFiberglass.com

On-line: Oldtownfiberglass.com

Freestanding Planters

Mini

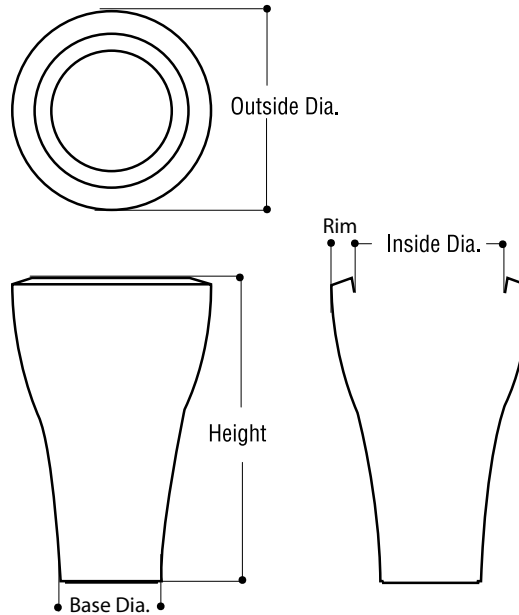


Illustration not to scale

Model No.	Outside Dia.	Inside Dia.	Base Dia.	Height	Rim	Weight
MG2640	26"	19"	13"	40"	3-1/2"	28

Note:

Please contact us if you don't see the shape or size of planter you need—we welcome custom orders. Planter irrigation and custom internal modifications available. All orders are subject to the Terms and Conditions outlined in this Price List. Specifications are available on our web site.

Old Town Fiberglass, Inc.

767 North Hariton Street

Orange, CA 92868-4015

Tel: 714.633.3732

E-mail: Info@OldTownFiberglass.com

On-line: Oldtownfiberglass.com

Freestanding Planters

Balboa

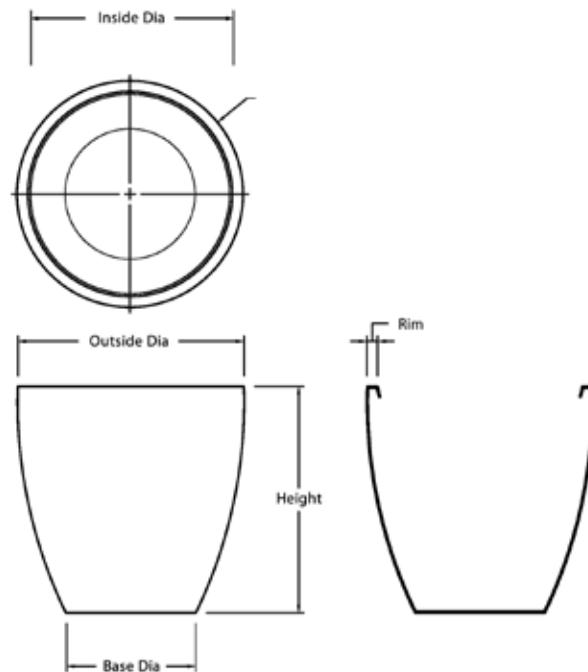


Illustration not to scale

Model No.	Outside Dia.	Inside Dia.	Base Dia.	Height	Rim	Weight
BB2724	27"	24"	13.5"	24"	1.5"	45
BB4242	42"	38"	24"	42"	2"	70
BB4656	46"	41"	27"	56"	2.5"	91
BB4669	46"	41"	27"	69"	2.5"	101
BB6054	60"	54"	41"	54"	3"	100
BB6464	64"	56"	42"	64"	4"	125

Note:

Please contact us if you don't see the shape or size of planter you need—we welcome custom orders. Planter irrigation and custom internal modifications available. All orders are subject to the Terms and Conditions outlined in this Price List. Specifications are available on our web site.

Old Town Fiberglass, Inc.

767 North Hariton Street
Orange, CA 92868-4015

Tel: 714.633.3732

E-mail: Info@OldTownFiberglass.com

On-line: Oldtownfiberglass.com

Freestanding Planters

Moonstone

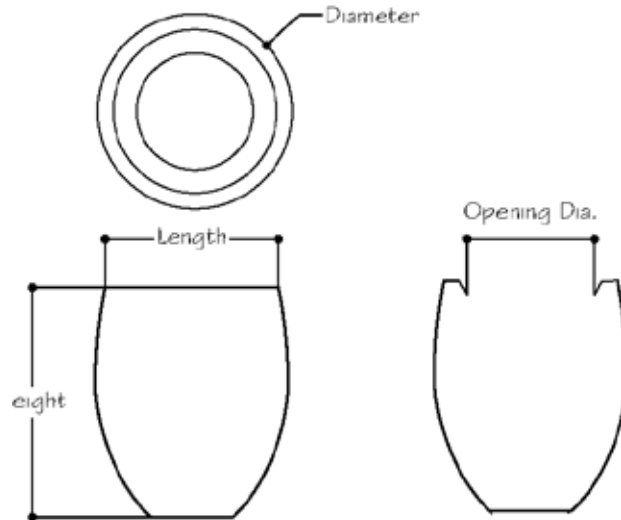


Illustration not to scale

Model No.	Outside Dia.	Inside Dia.	Base Dia.	Height	Rim	Weight
MN1619	16.5"	13.5"	10"	19"	1"	11
MN2024	20.5"	16.5"	10.5"	24.5"	1"	17
MN2529	25"	20.5"	13"	29.5"	1"	25
MN3034	30"	24.5"	14.5"	34"	1.5"	34
MN3634	36"	30.5"	20.5"	34"	1.5"	48

Note:

Please contact us if you don't see the shape or size of planter you need—we welcome custom orders. Planter irrigation and custom internal modifications available. All orders are subject to the Terms and Conditions outlined in this Price List. Specifications are available on our web site.

Old Town Fiberglass, Inc.

767 North Hariton Street

Orange, CA 92868-4015

Tel: 714.633.3732

E-mail: Info@OldTownFiberglass.com

On-line: Oldtownfiberglass.com

Freestanding Planters

Matrix



Designed By:
Mia Lehrer + Associates

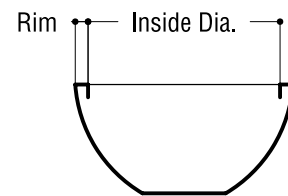
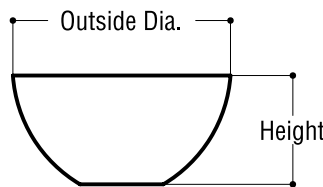
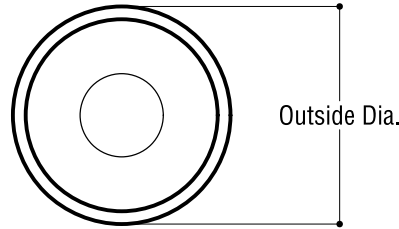


Illustration not to scale

Model No.	Outside Dia.	Inside Dia.	Height	Rim	Weight
ML2418	24"	20"	18"	2"	19
ML3018	30"	27"	18"	1-1/2"	24
ML3417	34"	30"	17"	2"	28
ML4020	40"	36"	20"	2"	38
ML4430	44"	39"	30"	2-1/2"	56
ML6040	60"	54"	40"	3"	100
ML7239	72"	64"	39"	4"	125

Note:

Please contact us if you don't see the shape or size of planter you need—we welcome custom orders. Planter irrigation and custom internal modifications available. All orders are subject to the Terms and Conditions outlined in this Price List. Specifications are available on our web site.

Old Town Fiberglass, Inc.

767 North Hariton Street

Orange, CA 92868-4015

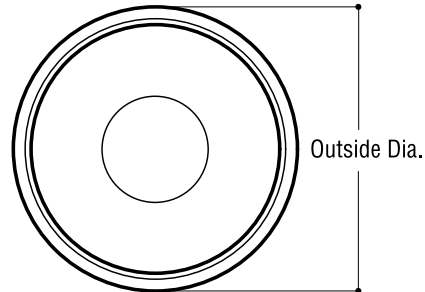
Tel: 714.633.3732

E-mail: Info@OldTownFiberglass.com

On-line: Oldtownfiberglass.com

Freestanding Planters

Santee



Designed By:

Mia Lehrer + Associates

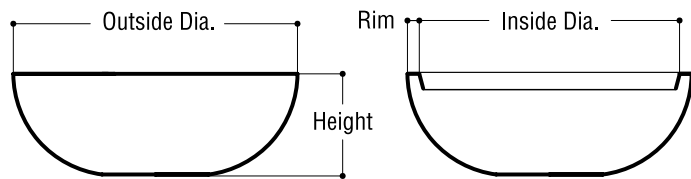


Illustration not to scale

Model No.	Outside Dia.	Inside Dia.	Height	Rim	Weight
ML4817	48"	44"	17"	2"	44

Note:

Please contact us if you don't see the shape or size of planter you need—we welcome custom orders. Planter irrigation and custom internal modifications available. All orders are subject to the Terms and Conditions outlined in this Price List. Specifications are available on our web site.

Old Town Fiberglass, Inc.

767 North Hariton Street
Orange, CA 92868-4015

Tel: 714.633.3732

E-mail: Info@OldTownFiberglass.com

On-line: Oldtownfiberglass.com

Freestanding Planters

Kowa

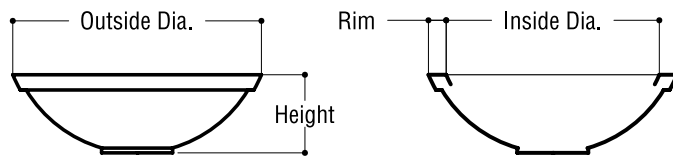
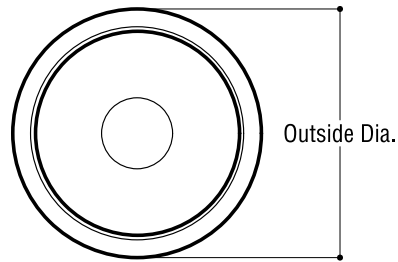


Illustration not to scale

Model No.	Outside Dia.	Inside Dia.	Height	Rim	Weight
KB2610	26"	23"	10"	1-1/2"	14
KB3211	32"	29"	11"	1-1/2"	20
KB3813	38"	33"	13-1/2"	2"	29

Note:

Please contact us if you don't see the shape or size of planter you need—we welcome custom orders. Planter irrigation and custom internal modifications available. All orders are subject to the Terms and Conditions outlined in this Price List. Specifications are available on our web site.

Old Town Fiberglass, Inc.

767 North Hariton Street

Orange, CA 92868-4015

Tel: 714.633.3732

E-mail: Info@OldTownFiberglass.com

On-line: Oldtownfiberglass.com

Freestanding Planters

Lido Bowls

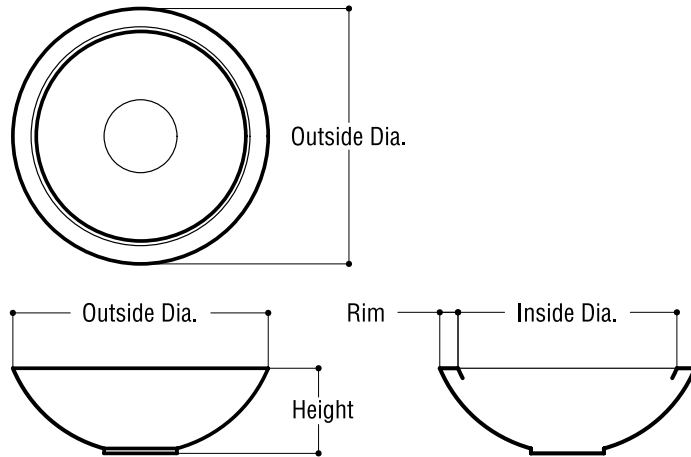


Illustration not to scale

Model No.	Outside Dia.	Inside Dia.	Height	Rim	Weight
LB3014	30"	24"	14"	3"	22
LB3614	36"	32"	14"	2"	27
LB4214	42"	36"	14"	3"	34
LB4814	48"	42"	14"	3"	41
LB6018**	60"	52"	18"	3-3/4"	50
LB6022	60"	52"	22"	3-3/4"	68
LB7222	72"	62"	22"	5"	94
LB9630**	96"	87"	30"	4-1/2"	160

*** These models do not have a base footing*

Note:

Please contact us if you don't see the shape or size of planter you need—we welcome custom orders. Planter irrigation and custom internal modifications available. All orders are subject to the Terms and Conditions outlined in this Price List. Specifications are available on our web site.

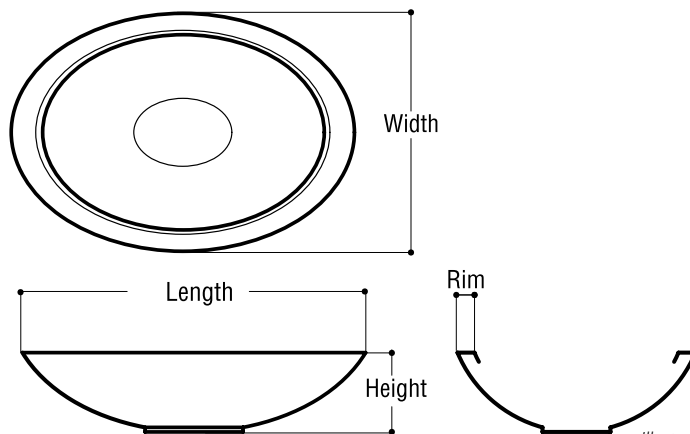


Illustration not to scale

Old Town Fiberglass, Inc.

767 North Hariton Street
 Orange, CA 92868-4015
 Tel: 714.633.3732
 E-mail: Info@OldTownFiberglass.com
 On-line: Oldtownfiberglass.com

Oval

Model No.	Length	Width	Height	Rim	Weight
LB423014	42"	30"	14"	2-1/2"	38

Freestanding Planters

Wall Mounted-Half Round

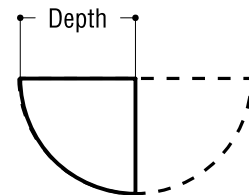
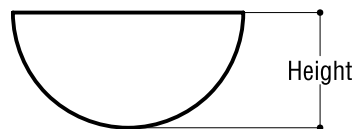
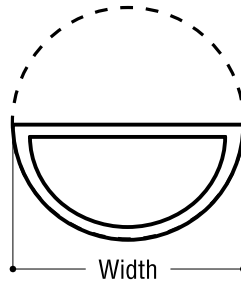


Illustration not to scale

Model No.	Outside Dia.	Inside Dia.	Height	Rim	Weight
HWP1206	12" *	11-½"	6"	None	2
HWP1507	15" *	14-½"	7-½"	"	3
HWP1809	18" *	17-½"	9"	"	4
HWP2412	24" *	23-½"	12"	"	7
HWP3015	30" *	29-½"	15"	"	11
HWP3618	36" *	37-½"	18"	"	15
HWP4824	48" *	47-½"	24"	"	28

Note:

Please contact us if you don't see the shape or size of planter you need—we welcome custom orders. Planter irrigation and custom internal modifications available. All orders are subject to the Terms and Conditions outlined in this Price List. Specifications are available on our web site.

* Available in full round hanging planters or quarter round. Please contact us for details

Old Town Fiberglass, Inc.

767 North Hariton Street

Orange, CA 92868-4015

Tel: 714.633.3732

E-mail: Info@OldTownFiberglass.com

On-line: Oldtownfiberglass.com

Freestanding Planters

Panama

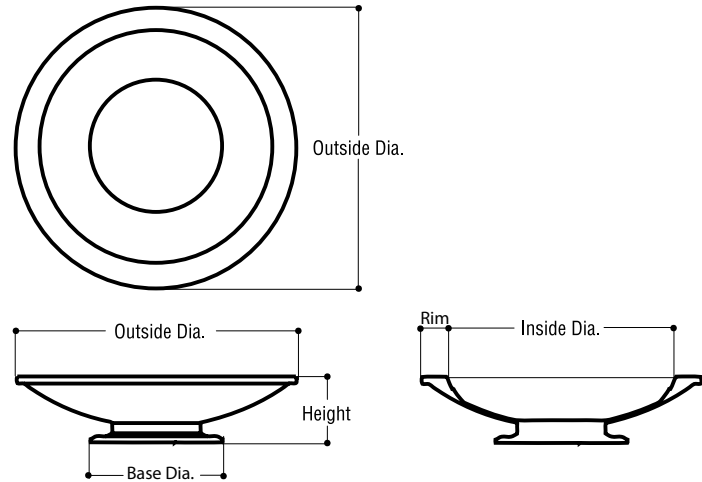


Illustration not to scale

Model No.	Outside Dia.	Inside Dia.	Height	Rim	Base Dia.	Weight
PN4812	48"	39"	12"	4"	22"	56
PN8922	89"	73"	22"	8"	42"	183

Note:

Please contact us if you don't see the shape or size of planter you need—we welcome custom orders. Planter irrigation and custom internal modifications available. All orders are subject to the Terms and Conditions outlined in this Price List. Specifications are available on our web site.

Old Town Fiberglass, Inc.

767 North Hariton Street
 Orange, CA 92868-4015
 Tel: 714.633.3732
 E-mail: Info@OldTownFiberglass.com
 On-line: Oldtownfiberglass.com

Freestanding Planters

Carmel

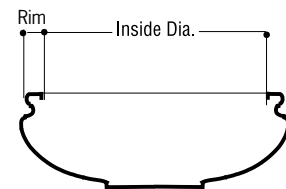
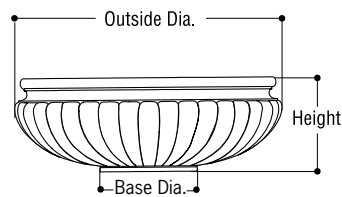
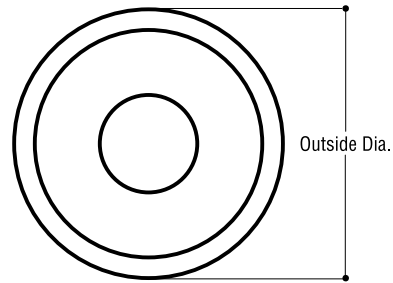


Illustration not to scale

Model No.	Outside Dia.	Inside Dia.	Height	Rim	Base Dia.	Weight
CML6024	60"	52"	24"	3-1/2"	22"	102
CML8430	84"	72"	30"	5"	33-1/2"	187

Note:

Please contact us if you don't see the shape or size of planter you need—we welcome custom orders. Planter irrigation and custom internal modifications available. All orders are subject to the Terms and Conditions outlined in this Price List. Specifications are available on our web site.

Old Town Fiberglass, Inc.

767 North Hariton Street

Orange, CA 92868-4015

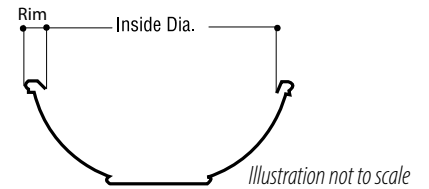
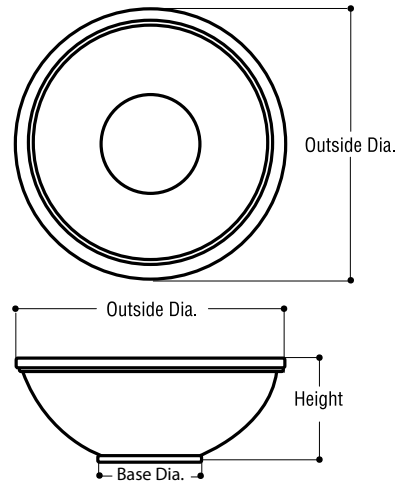
Tel: 714.633.3732

E-mail: Info@OldTownFiberglass.com

On-line: Oldtownfiberglass.com

Freestanding Planters

Cancun



Model No.	Outside Dia.	Inside Dia.	Height	Rim	Base Dia.	Weight
CN8432	84"	75"	32"	4"	30-1/2"	181

Note:

Please contact us if you don't see the shape or size of planter you need—we welcome custom orders. Planter irrigation and custom internal modifications available. All orders are subject to the Terms and Conditions outlined in this Price List. Specifications are available on our web site.

Old Town Fiberglass, Inc.

767 North Hariton Street

Orange, CA 92868-4015

Tel: 714.633.3732

E-mail: Info@OldTownFiberglass.com

On-line: Oldtownfiberglass.com

Freestanding Planters

Miami

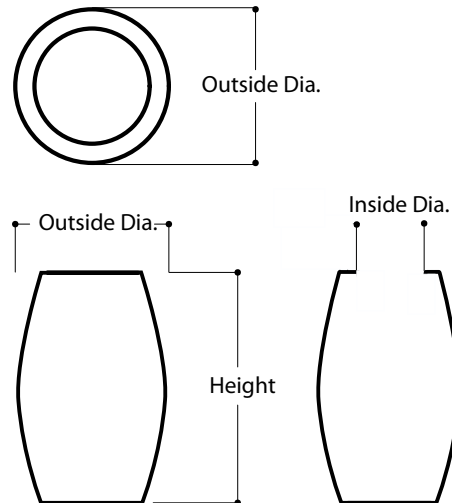


Illustration not to scale

Model No.	Outside Dia.	Inside Dia.	Height	Base Dia.	Weight
MI2442	24"	13"	42"	13"	31
MI3217	32"	22"	17"	20"	24
MI3912	39"	29"	12"	26"	26

Note:

Please contact us if you don't see the shape or size of planter you need—we welcome custom orders. Planter irrigation and custom internal modifications available. All orders are subject to the Terms and Conditions outlined in this Price List. Specifications are available on our web site.

Old Town Fiberglass, Inc.

767 North Hariton Street

Orange, CA 92868-4015

Tel: 714.633.3732

E-mail: Info@OldTownFiberglass.com

On-line: Oldtownfiberglass.com

Freestanding Planters

Blossom



Model No.	Outside Dia.	Height.	Base Dia.	Weight
BLS2416	24"	16-½"	13-½"	9
BLS2424	24"	24"	20"	10
BLS2444	24"	44"	13-½"	30
BLS3840	38"	40"	20"	46
BLS5427	54"	27"	30"	35

Designed By:

Mia Lehrer + Associates

Note:

Please contact us if you don't see the shape or size of planter you need—we welcome custom orders. Planter irrigation and custom internal modifications available. All orders are subject to the Terms and Conditions outlined in this Price List. Specifications are available on our web site.

Old Town Fiberglass, Inc.

767 North Hariton Street
Orange, CA 92868-4015

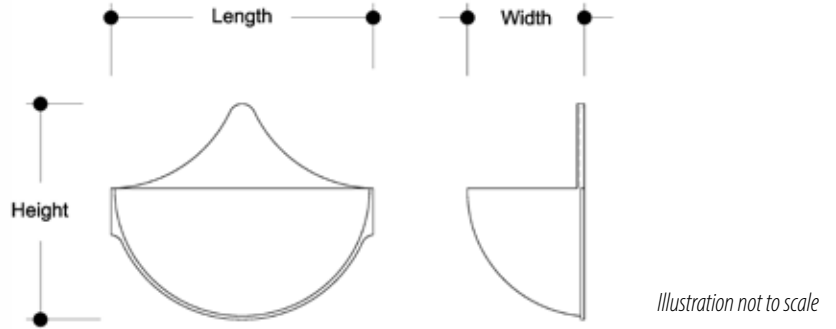
Tel: 714.633.3732

E-mail: Info@OldTownFiberglass.com

On-line: Oldtownfiberglass.com

Freestanding Planters

Shell Bowls



Model No.	Length	Width	Height	Weight
SH181508P	18-½"	8"	15"	2
SH1815T	18-½"	½"	15"	4

Note:

Please contact us if you don't see the shape or size of planter you need—we welcome custom orders. Planter irrigation and custom internal modifications available. All orders are subject to the Terms and Conditions outlined in this Price List. Specifications are available on our web site.

Old Town Fiberglass, Inc.

767 North Hariton Street
Orange, CA 92868-4015

Tel: 714.633.3732

E-mail: Info@OldTownFiberglass.com

On-line: Oldtownfiberglass.com

Freestanding Planters

Gilgo Tilt Bowl



Model No.	Outside Dia.	Inside Dia.	Height	Rim	Weight
GG1608	16"	10"	8"	3"	19
GG2412	24"	12"	12"	3"	38

Note:

Please contact us if you don't see the shape or size of planter you need—we welcome custom orders. Planter irrigation and custom internal modifications available. All orders are subject to the Terms and Conditions outlined in this Price List. Specifications are available on our web site.

Old Town Fiberglass, Inc.

767 North Hariton Street

Orange, CA 92868-4015

Tel: 714.633.3732

E-mail: Info@OldTownFiberglass.com

On-line: Oldtownfiberglass.com

Freestanding Planters

Gilgo Tilt Bowl

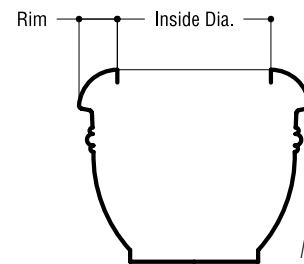
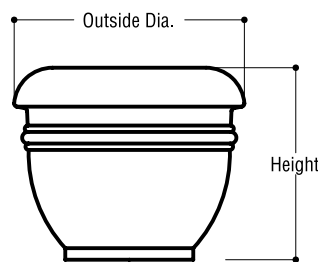
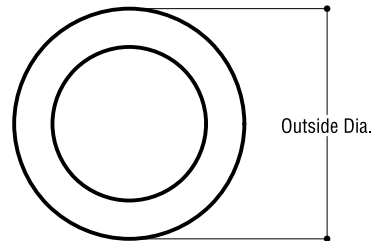


Illustration not to scale

Model No.	Outside Dia.	Inside Dia.	Height	Rim	Weight
MT2416	24"	18"	16"	3"	22

Note:

Please contact us if you don't see the shape or size of planter you need—we welcome custom orders. Planter irrigation and custom internal modifications available. All orders are subject to the Terms and Conditions outlined in this Price List. Specifications are available on our web site.

Old Town Fiberglass, Inc.

767 North Hariton Street

Orange, CA 92868-4015

Tel: 714.633.3732

E-mail: Info@OldTownFiberglass.com

On-line: Oldtownfiberglass.com

BACK OF BL13: BLANK

Freestanding Planters

Grecian Urn

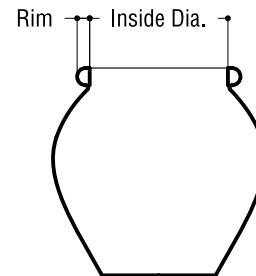
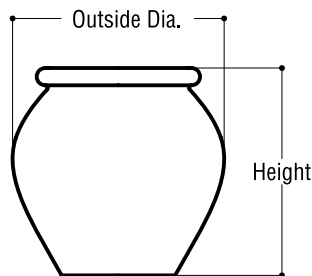
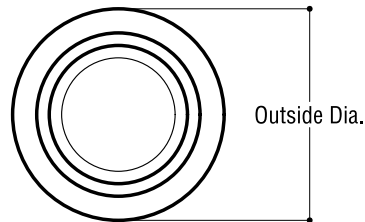


Illustration not to scale

Model No.	Outside Dia.	Inside Dia.	Height	Rim	Weight
GR2424	24"	16"	24"	2"	26
GR3636	36"	24"	36"	3"	57
GR4242	42"	30"	42"	3"	84

Note:

Please contact us if you don't see the shape or size of planter you need—we welcome custom orders. Planter irrigation and custom internal modifications available. All orders are subject to the Terms and Conditions outlined in this Price List. Specifications are available on our web site.

Old Town Fiberglass, Inc.

767 North Hariton Street

Orange, CA 92868-4015

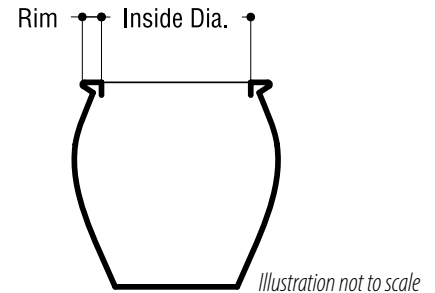
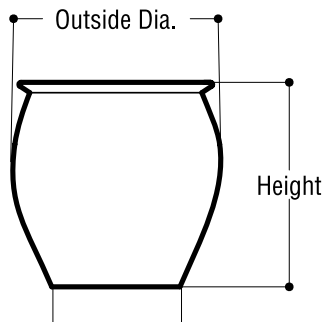
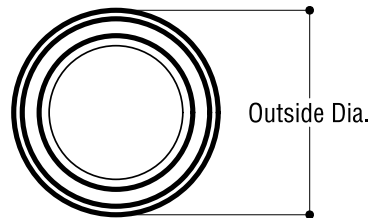
Tel: 714.633.3732

E-mail: Info@OldTownFiberglass.com

On-line: Oldtownfiberglass.com

Freestanding Planters

Imperial



Model No.	Outside Dia.	Inside Dia.	Base Dia.	Height	Rim	Weight
IM2420	24"	20"	15"	20"	2"	24
IM3030	30"	24"	18-3/4"	30"	3"	37
IM3624	36"	29"	20"	24"	3"	39
IM3630	36"	30"	30"	30"	3"	55
IM5243	52"	37"	42"	43"	3"	111

Note:

Please contact us if you don't see the shape or size of planter you need—we welcome custom orders. Planter irrigation and custom internal modifications available. All orders are subject to the Terms and Conditions outlined in this Price List. Specifications are available on our web site.

Old Town Fiberglass, Inc.

767 North Hariton Street

Orange, CA 92868-4015

Tel: 714.633.3732

E-mail: Info@OldTownFiberglass.com

On-line: Oldtownfiberglass.com

Freestanding Planters

Capistrano

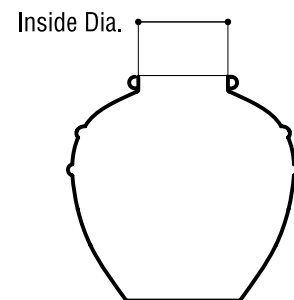
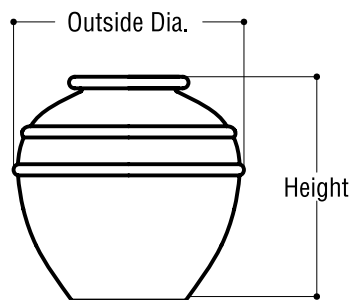
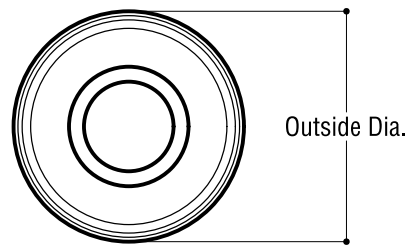


Illustration not to scale

Model No.	Outside Dia.	Inside Dia.	Height	Weight
CA2827	28"	12"	27"	25
CA3635	36"	14"	35"	42
CA4241	42"	16"	41"	57

Note:

Please contact us if you don't see the shape or size of planter you need—we welcome custom orders. Planter irrigation and custom internal modifications available. All orders are subject to the Terms and Conditions outlined in this Price List. Specifications are available on our web site.

Old Town Fiberglass, Inc.

767 North Hariton Street

Orange, CA 92868-4015

Tel: 714.633.3732

E-mail: Info@OldTownFiberglass.com

On-line: Oldtownfiberglass.com

Freestanding Planters

Bahia

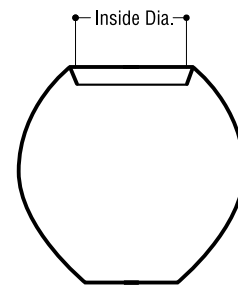
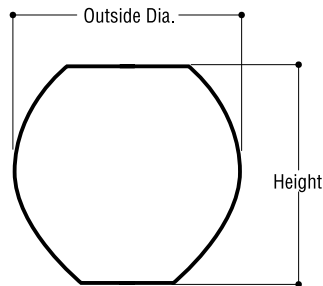
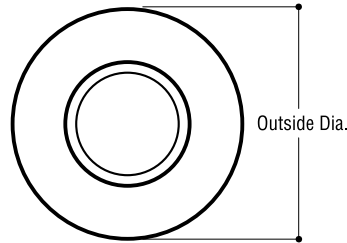


Illustration not to scale

Model No.	Outside Dia.	Inside Dia.	Height	Base Dia.	Weight
HSP1917	19"	8"	17-1/2"	8"	12
HSP2624	26"	14-1/2"	24"	13"	21
HSP3028	30"	17"	28"	14"	28
HSP3326	33"	22"	26"	17"	33
HSP3632	36"	18"	32"	15"	41
HSP3933	39"	24"	33"	16"	47
HSP4236	42"	24"	36"	15-1/2"	54
HSP4842	48"	26"	42"	19"	72
HSP5342	53"	37"	42"	20"	81
HSP6056	60"	24"	56"	18"	114

Note:

Please contact us if you don't see the shape or size of planter you need—we welcome custom orders. All orders are subject to the Terms and Conditions outlined in this Price List. Specifications are available on our web site.

Old Town Fiberglass, Inc.

767 North Hariton Street

Orange, CA 92868-4015

Tel: 714.633.3732

E-mail: Info@OldTownFiberglass.com

On-line: Oldtownfiberglass.com

Freestanding Planters

Zuma

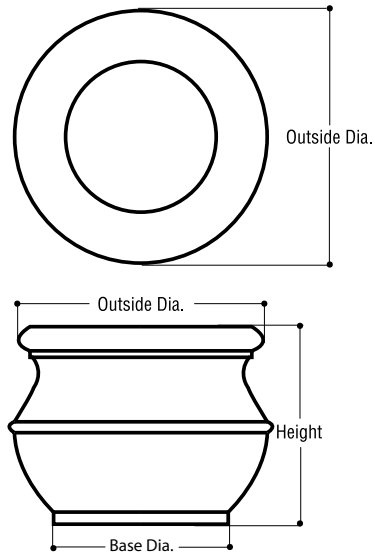


Illustration not to scale

Model No.	Outside Dia.	Inside Dia.	Height	Rim	Base Dia.	Weight
ZM3622	36"	26"	22"	5"	22"	46
ZM3648	36"	26"	48"	5"	22"	62
ZM6048	60"	50"	48"	5"	46"	113

Note:

Please contact us if you don't see the shape or size of planter you need—we welcome custom orders. Planter irrigation and custom internal modifications available. All orders are subject to the Terms and Conditions outlined in this Price List. Specifications are available on our web site.

Old Town Fiberglass, Inc.

767 North Hariton Street

Orange, CA 92868-4015

Tel: 714.633.3732

E-mail: Info@OldTownFiberglass.com

On-line: Oldtownfiberglass.com

Freestanding Planters

Bali

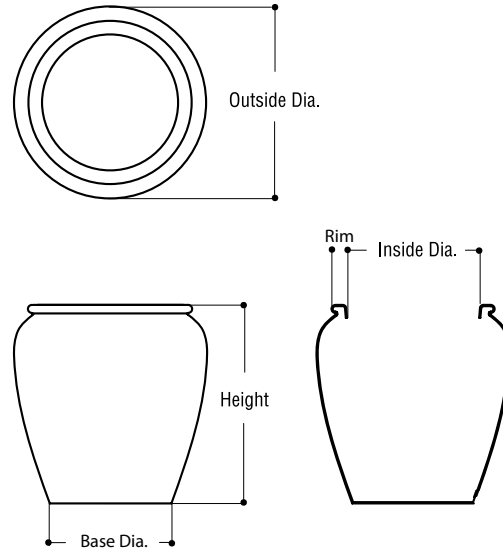


Illustration not to scale

Model No.	Outside Dia.	Inside Dia.	Base Dia.	Height	Rim	Weight
BL3031	30"	20-1/2"	19"	31"	2"	43

Matching Trash Receptacle Available.

Note:

Please contact us if you don't see the shape or size of planter you need—we welcome custom orders. Planter irrigation and custom internal modifications available. All orders are subject to the Terms and Conditions outlined in this Price List. Specifications are available on our web site.

Old Town Fiberglass, Inc.

767 North Hariton Street

Orange, CA 92868-4015

Tel: 714.633.3732

E-mail: Info@OldTownFiberglass.com

On-line: Oldtownfiberglass.com

Freestanding Planters

Opal

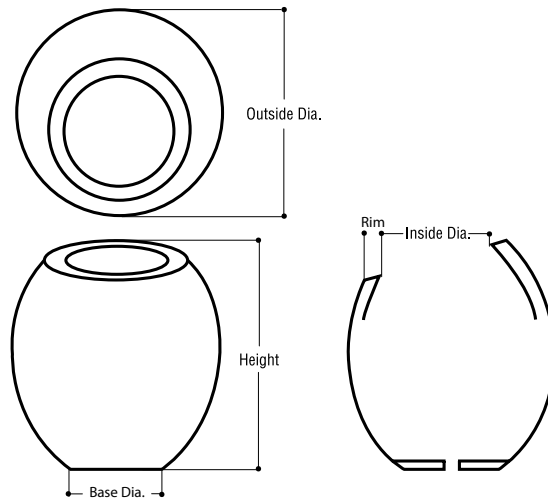


Illustration not to scale

Designed By:

James Corner Field Operations

Aria Resort And Casino At City Center

Model No.	Outside Dia.	Inside Dia.	Height	Base Dia.	Weight
OP2629	26"	14"	29"	12"	44
OP3048	30"	17"	48"	15"	59
OP3667	36"	20"	67"	18"	82
OP4851	48"	30"	51"	18"	128

Note:

Please contact us if you don't see the shape or size of planter you need—we welcome custom orders. Planter irrigation and custom internal modifications available. All orders are subject to the Terms and Conditions outlined in this Price List. Specifications are available on our web site.

Old Town Fiberglass, Inc.

767 North Hariton Street

Orange, CA 92868-4015

Tel: 714.633.3732

E-mail: Info@OldTownFiberglass.com

On-line: Oldtownfiberglass.com

UN7 BACK: NO PRINTING

Trash Receptacles

Standard Trash

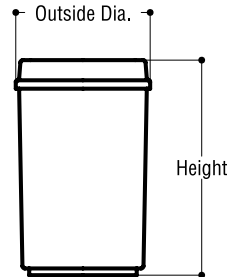
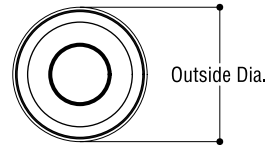


Illustration not to scale

Model No.	Diameter	Height	Weight
TR2032	20"	32"	27

Size of trash bag: 32 Gal.
Polyliners available on request

Note:

Please contact us if you don't see the shape or size you need –we welcome custom orders. All orders are subject to the Terms and Conditions outlined in this Price List. Specifications are available on our web site.

Old Town Fiberglass, Inc.

767 North Hariton Street
Orange, CA 92868-4015

Tel: 714.633.3732

E-mail: Info@OldTownFiberglass.com

On-line: Oldtownfiberglass.com

Trash Receptacles

Mediterranean Standard Trash

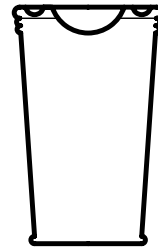
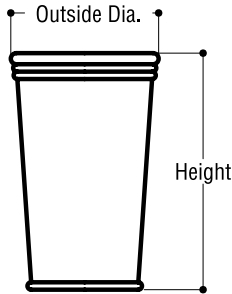
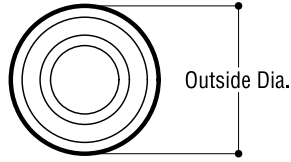


Illustration not to scale

Model No.	Diameter	Height	Weight
MT2736	27"	36"	54

Trash bag size: 32 Gal.

Black (G) lid standard unless otherwise specified

Note:

Please contact us if you don't see the shape or size you need –we welcome custom orders.

All orders are subject to the Terms and Conditions outlined in this Price List. Specifications are available on our web site.

Old Town Fiberglass, Inc.

767 North Hariton Street
Orange, CA 92868-4015

Tel: 714.633.3732

E-mail: Info@OldTownFiberglass.com

On-line: Oldtownfiberglass.com

Trash Receptacles

Ash Urn

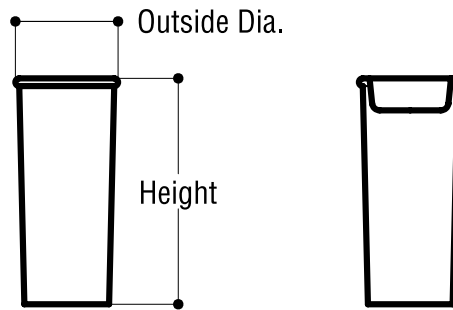


Illustration not to scale

Model No.	Diameter	Height	Weight
AR1022	10"	22"	13

Note:

Please contact us if you don't see the shape or size you need –we welcome custom orders.

All orders are subject to the Terms and Conditions outlined in this Price List. Specifications are available on our web site.

Old Town Fiberglass, Inc.

767 North Hariton Street
Orange, CA 92868-4015

Tel: 714.633.3732

E-mail: Info@OldTownFiberglass.com

On-line: Oldtownfiberglass.com

Trash Receptacles

Combination Trash/Ash Urn

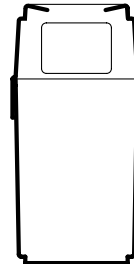
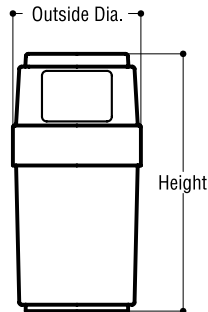
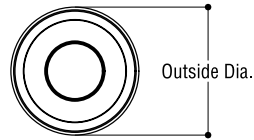


Illustration not to scale

Model No.	Diameter	Height	Weight
CM2040	20"	40-1/2"	31

Includes stainless steel ash tray insert in top

Also available with closed top

Trash bag size: 32 Gal.

Note:

Please contact us if you don't see the shape or size you need –we welcome custom orders.

All orders are subject to the Terms and Conditions outlined in this Price List. Specifications are available on our web site.

Old Town Fiberglass, Inc.

767 North Hariton Street

Orange, CA 92868-4015

Tel: 714.633.3732

E-mail: Info@OldTownFiberglass.com

On-line: Oldtownfiberglass.com

Trash Receptacles

Food Tray/Trash

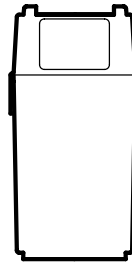
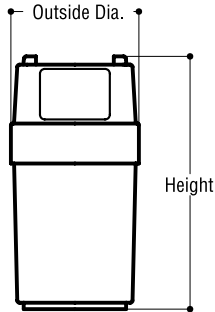


Illustration not to scale

Model No.	Diameter	Height	Weight
FT2040	20"	40"	31

Trash bag size: 32 Gal.

Tray size: 16" x 12"

Note:

Please contact us if you don't see the shape or size you need –we welcome custom orders.

All orders are subject to the Terms and Conditions outlined in this Price List. Specifications are available on our web site.

Old Town Fiberglass, Inc.

767 North Hariton Street
Orange, CA 92868-4015

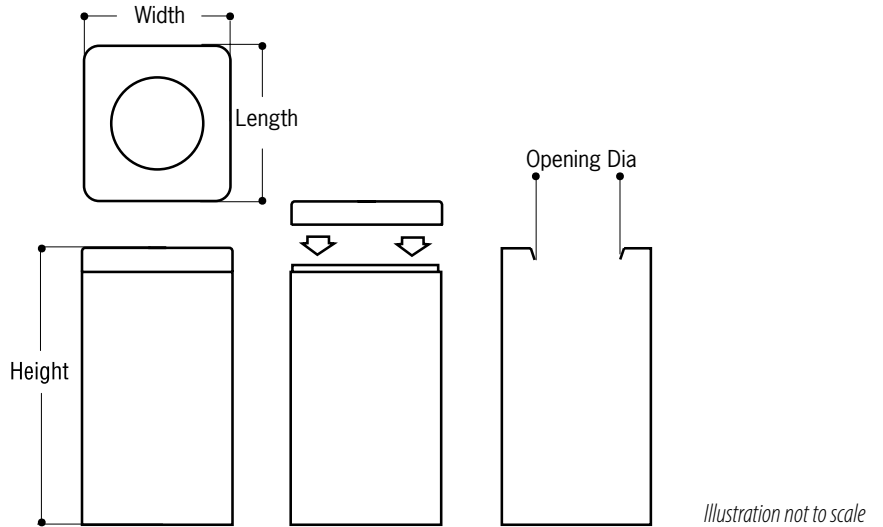
Tel: 714.633.3732

E-mail: Info@OldTownFiberglass.com

On-line: Oldtownfiberglass.com

Trash Receptacles

Square Trash



Model No.	Length	Width	Height	Opening Dia	Weight
ST2036	20"	20"	36"	12"	45

Black (G) lid standard unless otherwise specified
Trash bag size: 18 Gal.

Note:

Please contact us if you don't see the shape or size you need –we welcome custom orders. All orders are subject to the Terms and Conditions outlined in this Price List. Specifications are available on our web site.

Old Town Fiberglass, Inc.

767 North Hariton Street
Orange, CA 92868-4015
Tel: 714.633.3732

E-mail: Info@OldTownFiberglass.com
On-line: Oldtownfiberglass.com

Trash Receptacles

Tapered SQ Trash

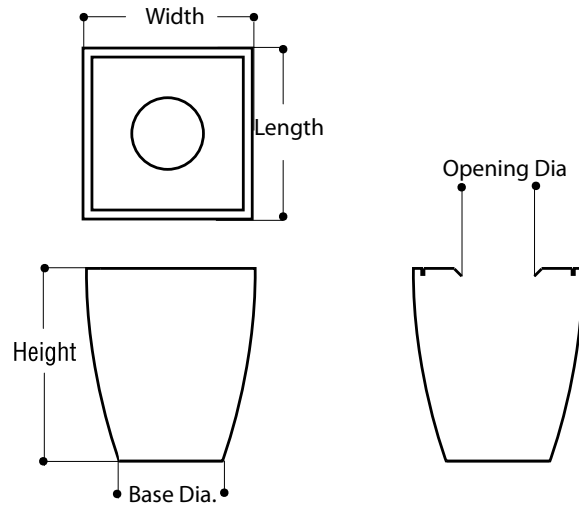


Illustration not to scale

Model No.	OVERALL		BASE		Height	Rim	Weight
	Length	Width	Length	Width			
STR2430	24"	24"	16"	16"	30"	1"	45

Available optional liner.
Black (G) lid standard unless otherwise specified
Trash bag size: 30 Gal.

Note:

Please contact us if you don't see the shape or size you need –we welcome custom orders. All orders are subject to the Terms and Conditions outlined in this Price List. Specifications are available on our web site.

Old Town Fiberglass, Inc.

767 North Hariton Street
Orange, CA 92868-4015
Tel: 714.633.3732

E-mail: Info@OldTownFiberglass.com
On-line: Oldtownfiberglass.com

Trash Receptacles

Caladesi Trash Receptacle

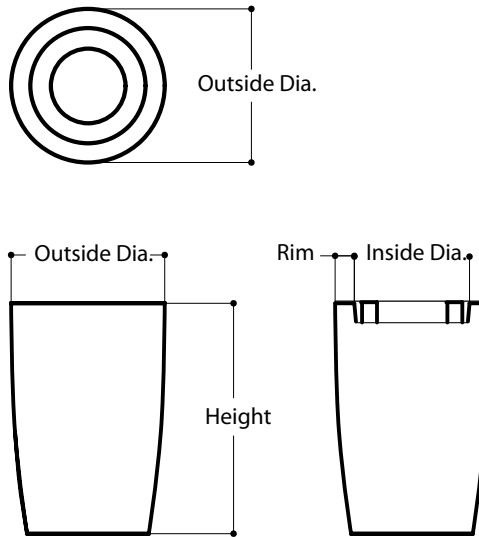


Illustration not to scale

Model No.	Outside Dia.	Opening Dia.	Base Dia.	Height	Rim	Weight
CCL2436TR	24"	18"	19"	36"	3"	39

Black (G) lid standard unless otherwise specified
Trash bag size: 28 Gal.

Note:

Please contact us if you don't see the shape or size you need –we welcome custom orders. All orders are subject to the Terms and Conditions outlined in this Price List. Specifications are available on our web site.

Old Town Fiberglass, Inc.

767 North Hariton Street

Orange, CA 92868-4015

Tel: 714.633.3732

E-mail: Info@OldTownFiberglass.com

On-line: Oldtownfiberglass.com

Trash Receptacles

Cardiff Ash/Trash Receptacle

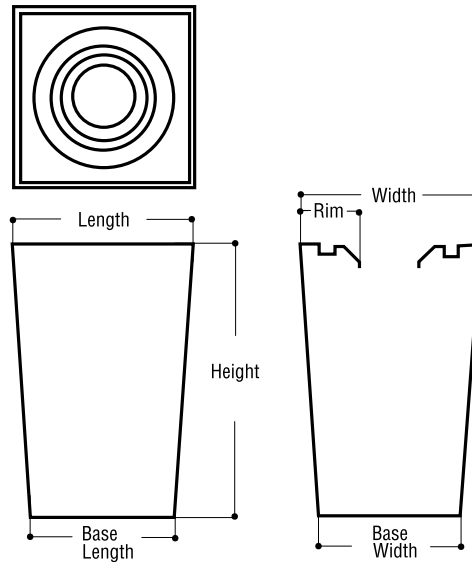


Illustration not to scale

Model No.	OVERALL		BASE		Height	Rim	Weight
	Length	Width	Length	Width			
CF2436TR	24"	24"	19"	19"	36"	2"	55

Trash only or Ash/Trash lid (as shown) available upon request

Black (G) lid standard unless otherwise specified

Trash bag size: 30 Gal.

Note:

Please contact us if you don't see the shape or size you need –we welcome custom orders.

All orders are subject to the Terms and Conditions outlined in this Price List. Specifications are available on our web site.

Old Town Fiberglass, Inc.

767 North Hariton Street
Orange, CA 92868-4015

Tel: 714.633.3732

E-mail: Info@OldTownFiberglass.com

On-line: Oldtownfiberglass.com

Trash Receptacles

Ponto Trash Receptacle

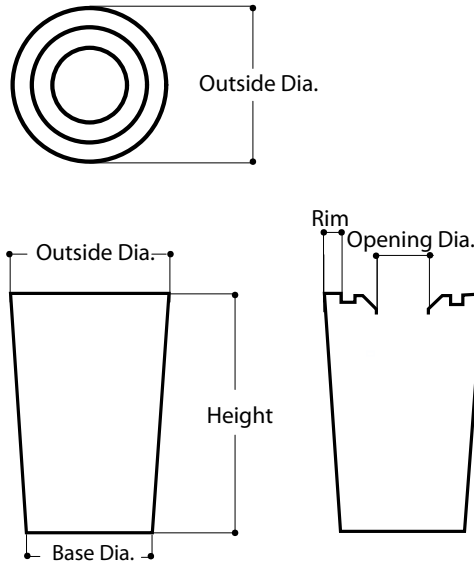


Illustration not to scale

Model No.	Outside Dia.	Opening Dia.	Base Dia.	Height	Rim	Weight
PCL2432TR	24"	10"	14"	32"	2"	40
PCL3036TR	30"	10"	20"	36"	3"	48

Trash only or Ash/Trash lid (as shown) available upon request

Black (G) lid standard unless otherwise specified

Trash bag size: 28 Gal.

Note:

Please contact us if you don't see the shape or size you need –we welcome custom orders.

All orders are subject to the Terms and Conditions outlined in this Price List. Specifications are available on our web site.

Old Town Fiberglass, Inc.

767 North Hariton Street
Orange, CA 92868-4015

Tel: 714.633.3732

E-mail: Info@OldTownFiberglass.com

On-line: Oldtownfiberglass.com

Trash Receptacles

Surf Trash Receptacle

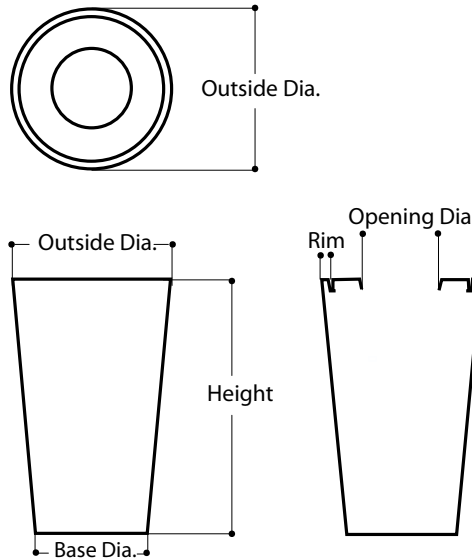


Illustration not to scale



Trash Receptacle

Model No.	Outside Dia.	Opening Dia.	Base Dia.	Height	Rim	Weight
PPSR2032TR	20"	10"	14"	32"	1"	35

Planter

Model No.	Outside Dia.	Inside Dia.	Base Dia.	Height	Rim	Weight
PPSR2032	20"	18"	14"	32"	1"	25

Black (G) lid standard unless otherwise specified

Trash bag size: 16 Gal.

Note:

Please contact us if you don't see the shape or size you need –we welcome custom orders.

All orders are subject to the Terms and Conditions outlined in this Price List. Specifications are available on our web site.

Old Town Fiberglass, Inc.

767 North Hariton Street

Orange, CA 92868-4015

Tel: 714.633.3732

E-mail: Info@OldTownFiberglass.com

On-line: Oldtownfiberglass.com

Trash Receptacles

Prism Trash Receptacle

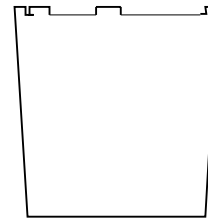
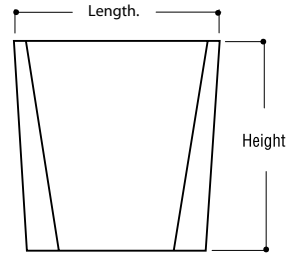
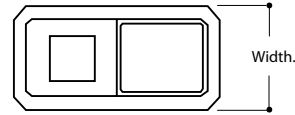


Illustration not to scale

Designed By:
Mia Lehrer + Associates

Trash/Recycle Receptacle

Model No.	Length	Width	Height	Rim	Weight
PR361837TR	36"	18"	37"	1-1/2"	35

Black (G) lid standard unless otherwise specified

Note:

Please contact us if you don't see the shape or size you need –we welcome custom orders. All orders are subject to the Terms and Conditions outlined in this Price List. Specifications are available on our web site.

Old Town Fiberglass, Inc.

767 North Hariton Street
Orange, CA 92868-4015

Tel: 714.633.3732

E-mail: Info@OldTownFiberglass.com

On-line: Oldtownfiberglass.com

Trash Receptacles

Cambria Trash Receptacle

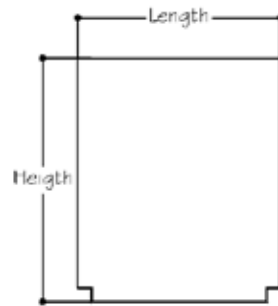
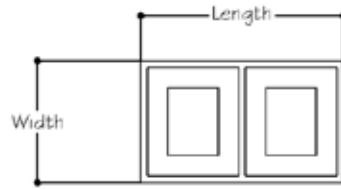


Illustration not to scale

Trash/Recycle Receptacle

Model No.	Length	Width	Height	Rim	Weight
CA301836	30"	18"	36"	1-1/2"	70

Note:

Please contact us if you don't see the shape or size you need –we welcome custom orders. All orders are subject to the Terms and Conditions outlined in this Price List. Specifications are available on our web site.

Old Town Fiberglass, Inc.

767 North Hariton Street

Orange, CA 92868-4015

Tel: 714.633.3732

E-mail: Info@OldTownFiberglass.com

On-line: Oldtownfiberglass.com

Trash Receptacles

Fort Bragg Trash Receptacle

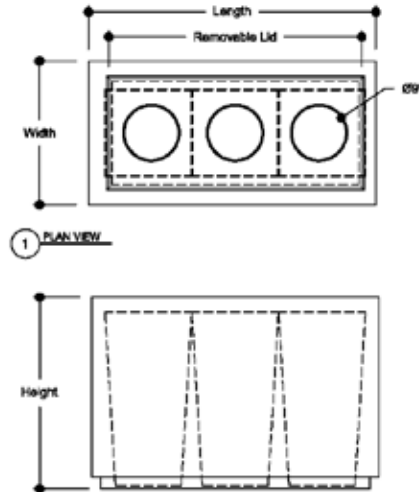


Illustration not to scale

Trash/Recycle Receptacle

Model No.	Length	Width	Height	Rim	Weight
FB482436	48"	24"	36"	1-1/2"	130

Note:

Please contact us if you don't see the shape or size you need –we welcome custom orders. All orders are subject to the Terms and Conditions outlined in this Price List. Specifications are available on our web site.

Old Town Fiberglass, Inc.

767 North Hariton Street

Orange, CA 92868-4015

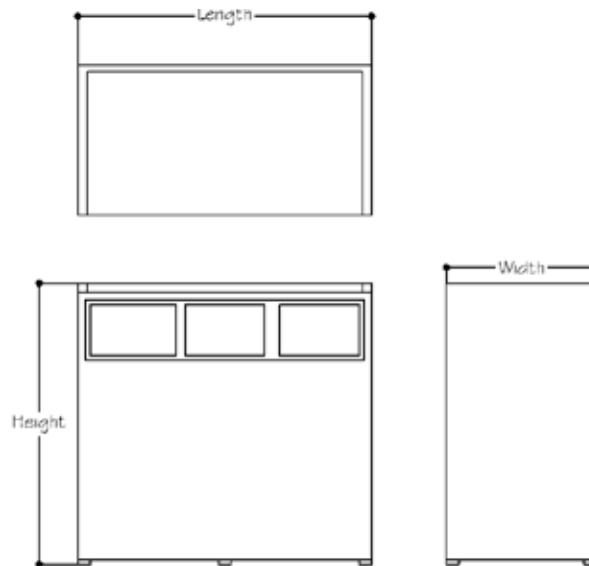
Tel: 714.633.3732

E-mail: Info@OldTownFiberglass.com

On-line: Oldtownfiberglass.com

Trash Receptacles

Triple Trash Receptacle



Trash/Recycle Receptacle

Model No.	Length	Width	Height	Rim	Weight
TT482446	48"	24"	46"	1-1/2"	150

Note:

Please contact us if you don't see the shape or size you need –we welcome custom orders. All orders are subject to the Terms and Conditions outlined in this Price List. Specifications are available on our web site.

Old Town Fiberglass, Inc.

767 North Hariton Street

Orange, CA 92868-4015

Tel: 714.633.3732

E-mail: Info@OldTownFiberglass.com

On-line: Oldtownfiberglass.com

Trash Receptacles

Recycle Stool Receptacle

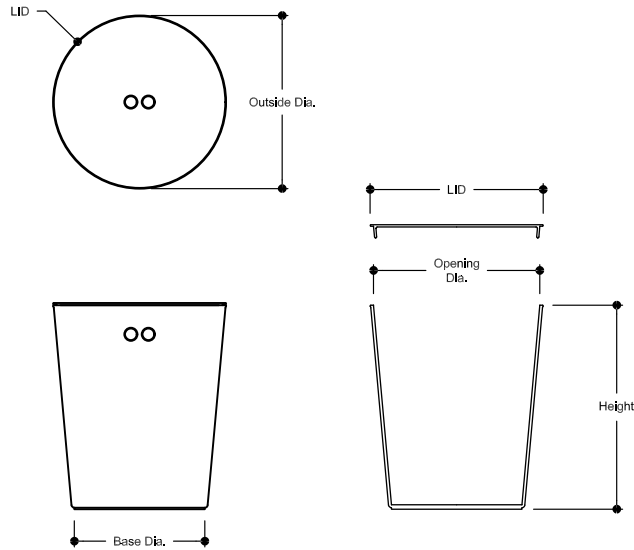


Illustration not to scale

Recycle Stool Receptacle

Model No.	Top Dia.	Base Dia.	Height	Weight Lbs
RS1518	15"	12"	18"	14

Note:

Please contact us if you don't see the shape or size you need –we welcome custom orders. All orders are subject to the Terms and Conditions outlined in this Price List. Specifications are available on our web site.

Old Town Fiberglass, Inc.

767 North Hariton Street
Orange, CA 92868-4015

Tel: 714.633.3732

E-mail: Info@OldTownFiberglass.com

On-line: Oldtownfiberglass.com

Freestanding Planters

Oval Planter

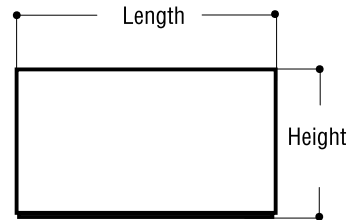
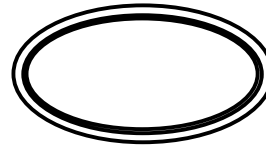


Illustration not to scale

Model No.	Length	Width	Height	Rim	Weight
PPOV422224	42"	22"	24"	1-1/2"	47

Note:

Please contact us if you don't see the shape or size of planter you need—we welcome custom orders. Planter irrigation and custom internal modifications available. All orders are subject to the Terms and Conditions outlined in this Price List. Specifications are available on our web site.

Old Town Fiberglass, Inc.

767 North Hariton Street

Orange, CA 92868-4015

Tel: 714.633.3732

E-mail: Info@OldTownFiberglass.com

On-line: Oldtownfiberglass.com

Freestanding Planters

Pier

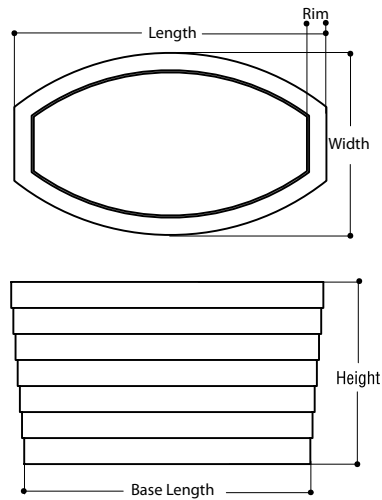


Illustration not to scale

Designed By:

Mark Tessier Landscape Architecture

Model No.	OVERALL		BASE			Rim	Weight
	Length	Width	Length	Width	Height		
PI724242	72"	42"	66"	36"	42"	4"	120

Note:

Please contact us if you don't see the shape or size of planter you need—we welcome custom orders. Planter irrigation and custom internal modifications available. All orders are subject to the Terms and Conditions outlined in this Price List. Specifications are available on our web site.

Old Town Fiberglass, Inc.

767 North Hariton Street

Orange, CA 92868-4015

Tel: 714.633.3732

E-mail: Info@OldTownFiberglass.com

On-line: Oldtownfiberglass.com

Victoria Vase

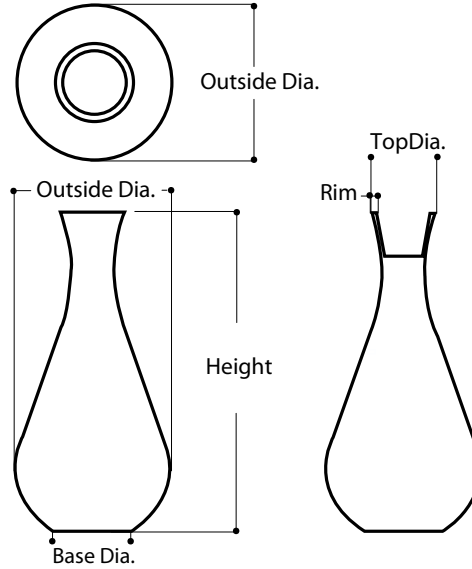


Illustration not to scale

Model No.	Outside Dia.	Top Dia.	Base Dia.	Height	Rim	Weight
PPVV1952	19"	10"	7-¾"	52"	1-¾"	30
PPVV4490	44"	18"	22"	90"	1-½"	160

Note:

Please contact us if you don't see the shape or size you need –we welcome custom orders. All orders are subject to the Terms and Conditions outlined in this Price List. Specifications are available on our web site.

Old Town Fiberglass, Inc.

767 North Hariton Street
Orange, CA 92868-4015
Tel: 714.633.3732
E-mail: Info@OldTownFiberglass.com
On-line: Oldtownfiberglass.com

VA1 BACK: BLANK

Round Saucers

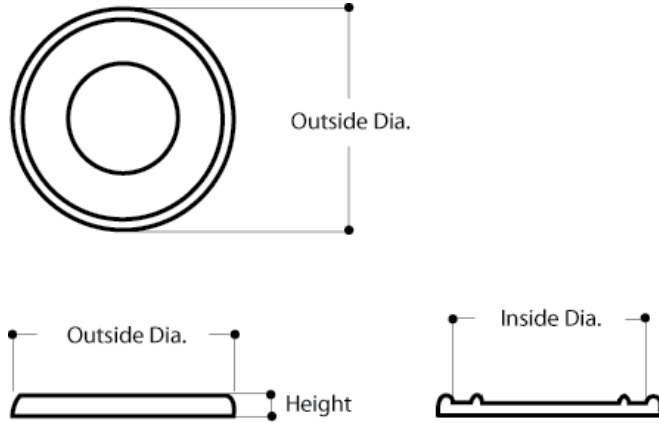


Illustration not to scale

Round Saucer

Model No.	Outside Dia.	Inside Dia.	Height	Weight
SCR1512	15"	12"	1-1/2"	3
SCR1714	17"	14"	1-1/2"	3.5
SCR1916	19"	16"	1-1/2"	4
SCR2118	21"	18"	1-1/2"	4.3
SCR2320	23"	20"	1-1/2"	4.7
SCR2522	25"	22"	1-1/2"	5
SCR2724	27"	24"	1-1/2"	5.5
SCR2926	29"	26"	1-1/2"	6
SCR3128	31"	28"	1-1/2"	6.5
SCR3330	33"	30"	1-1/2"	7.6
SCR3532	35"	32"	1-1/2"	8
SCR3734	37"	34"	1-1/2"	8.6
SCR3936	39"	36"	1-1/2"	9
SCR4138	41"	38"	1-1/2"	9.5
SCR4340	43"	40"	1-1/2"	10
SCR4542	45"	42"	1-1/2"	10.5
SCR4744	47"	44"	1-1/2"	11
SCR4946	49"	46"	1-1/2"	11.5
SCR5148	51"	48"	1-1/2"	12
SCR5350	53"	50"	1-1/2"	12.5

Note:

Please contact us if you don't see the shape or size you need –we welcome custom orders.

All orders are subject to the Terms and Conditions outlined in this Price List. Specifications are available on our web site.

Old Town Fiberglass, Inc.

767 North Hariton Street

Orange, CA 92868-4015

Tel: 714.633.3732

E-mail: Info@OldTownFiberglass.com

On-line: Oldtownfiberglass.com

Square Saucers

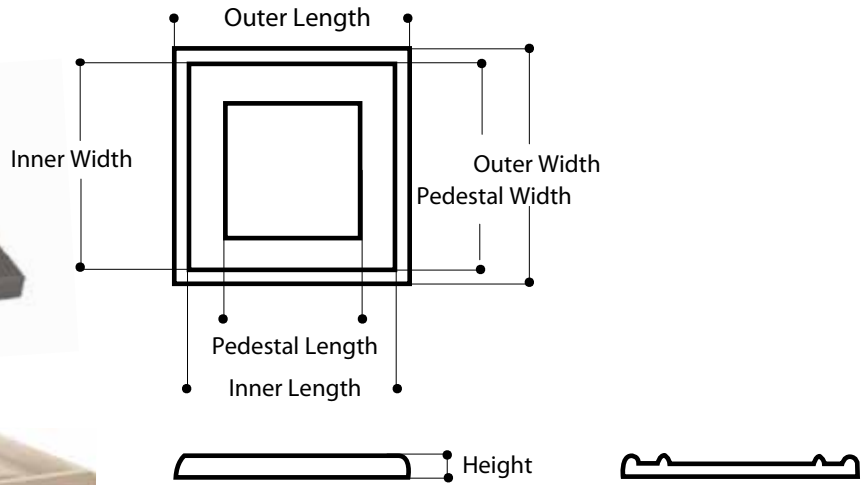


Illustration not to scale

Rectangle Saucer

Model No.	Outer Dim		Inner Dim		Pedestal			Weight
	Length	Width	Length	Width	Length	Width	Height	
SCRT4918	49-1/4"	18"	45-1/2"	13-3/4"	39-1/2"	11-3/4"	3"	18
SCRT4921	49-1/4"	21"	45-3/4"	17-3/4"	39-1/2"	11-1/2"	2"	20
SCRT4925	49-1/4"	25-1/4"	45-3/4"	17-3/4"	39-1/2"	11-1/2"	2-1/4"	23
SCRT5014	50"	14-1/4"	46"	10-1/2"	43-3/4"	8"	3-1/4"	21
SCRT7628	76"	28"	72"	24"	68"	21"	3-1/2"	24

Square Saucer

Model No.	Outer Dim		Inner Dim		Pedestal			Weight
	Length	Width	Length	Width	Length	Width	Height	
SCS1414	14-1/4"	14-1/4"	12-1/2"	12-1/2"	9"	9"	2"	7
SCS1818	18-1/2"	18-1/2"	16-1/4"	16-1/4"	13"	13"	2"	10
SCS2424	23-3/4"	23-3/4"	20-1/4"	20-1/4"	14-1/2"	14-1/2"	2-3/4"	16
SCS2929	28-3/4"	28-3/4"	24-1/2"	24-1/2"	15"	15"	4"	23
SCS3030	30-1/2"	30-1/2"	24-1/2"	24-1/2"	15"	15"	4"	24

Note:

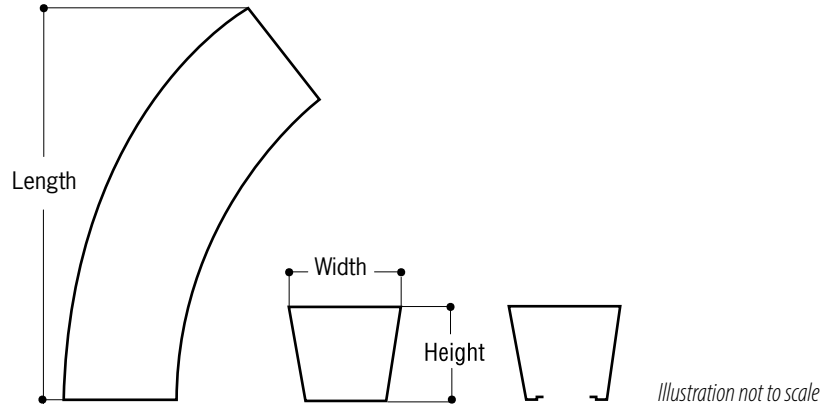
Please contact us if you don't see the shape or size you need –we welcome custom orders. All orders are subject to the Terms and Conditions outlined in this Price List. Specifications are available on our web site.

Note: Saucers are available for most models

Old Town Fiberglass, Inc.

767 North Hariton Street
 Orange, CA 92868-4015
 Tel: 714.633.3732
 E-mail: Info@OldTownFiberglass.com
 On-line: Oldtownfiberglass.com

Noodle Bench / Planter



Designed By:
Mia Lehrer + Associates

Model No.	Length	Width	Height	Weight
NDL661818	66"	18"	18"	55
NDL661818P	66"	18"	18"	55
NDL842218	84"	22"	18"	73
NDL842218P	84"	22"	18"	73
NDL981818	98"	18"	18"	77

Note: P=Planter Version of Noodle Bench

Note:

Please contact us if you don't see the shape or size you need –we welcome custom orders. All orders are subject to the Terms and Conditions outlined in this Price List. Specifications are available on our web site.

Old Town Fiberglass, Inc.

767 North Hariton Street
Orange, CA 92868-4015
Tel: 714.633.3732
E-mail: Info@OldTownFiberglass.com
On-line: Oldtownfiberglass.com

Accent



Designed By:
Jeffrey Campbell

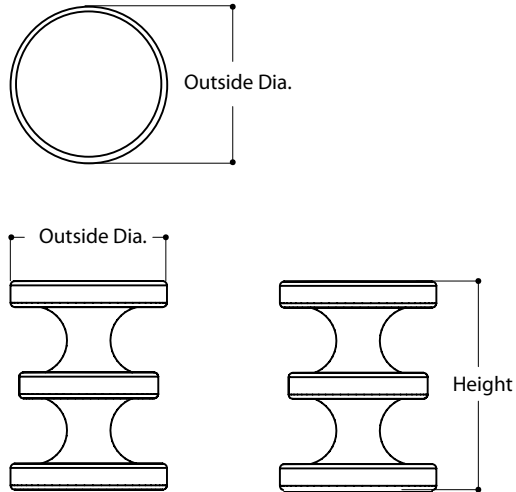


Illustration not to scale

Model No.	Diameter	Height	Weight
AC1824	18"	24"	25

Note:

Please contact us if you don't see the shape or size you need –we welcome custom orders. All orders are subject to the Terms and Conditions outlined in this Price List. Specifications are available on our web site.

Old Town Fiberglass, Inc.

767 North Hariton Street

Orange, CA 92868-4015

Tel: 714.633.3732

E-mail: Info@OldTownFiberglass.com

On-line: Oldtownfiberglass.com

Furnishings

Arizona Seat

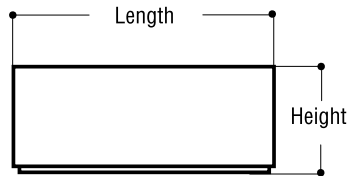
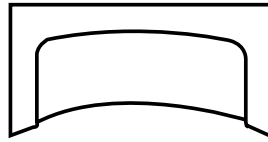


Illustration not to scale

Model No.	Length	Width	Height	Weight
CBSEAT	60"	30"	24"	120

Note:

Please contact us if you don't see the shape or size you need –we welcome custom orders.

All orders are subject to the Terms and Conditions outlined in this Price List. Specifications are available on our web site.

Old Town Fiberglass, Inc.

767 North Hariton Street
Orange, CA 92868-4015

Tel: 714.633.3732

E-mail: Info@OldTownFiberglass.com

On-line: Oldtownfiberglass.com

SPA Table

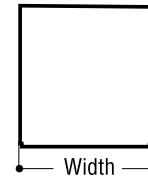
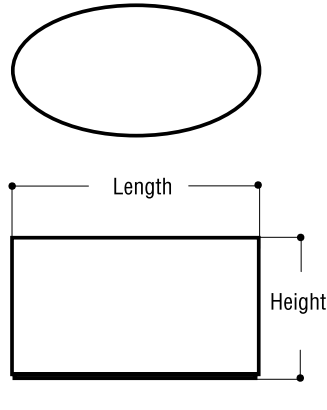


Illustration not to scale

Model No.	Length	Width	Height	Weight
SPA281816	28"	18"	16"	26

Note:

Please contact us if you don't see the shape or size you need –we welcome custom orders. Corresponding planter available. All orders are subject to the Terms and Conditions outlined in this Price List. Specifications are available on our web site.

Old Town Fiberglass, Inc.

767 North Hariton Street
 Orange, CA 92868-4015
 Tel: 714.633.3732
 E-mail: Info@OldTownFiberglass.com
 On-line: Oldtownfiberglass.com

Furnishings

Puzzle Bench



Model No.	Length	Width	Height	Weight
Half Puzzle	65-1/2 "	76"	18"	111
Whole Puzzle	131 "	76"	18"	222

Note:

Please contact us if you don't see the shape or size you need –we welcome custom orders. Corresponding planter available. All orders are subject to the Terms and Conditions outlined in this Price List. Specifications are available on our web site.



Old Town Fiberglass, Inc.

767 North Hariton Street

Orange, CA 92868-4015

Tel: 714.633.3732

E-mail: Info@OldTownFiberglass.com

On-line: Oldtownfiberglass.com

Vantage

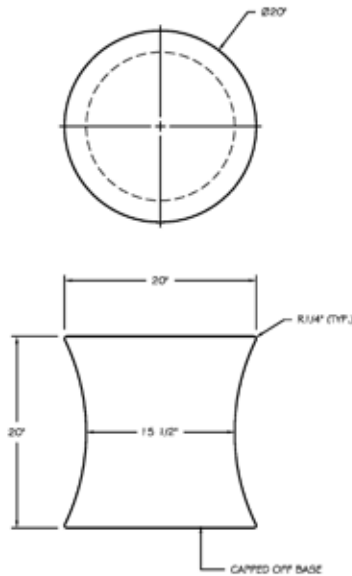


Illustration not to scale

Model No.	Diameter	Diameter (Mid)	Height	Weight
VG2020	20"	15-1/2"	20"	25

Note:

Please contact us if you don't see the shape or size you need –we welcome custom orders. Corresponding planter available. All orders are subject to the Terms and Conditions outlined in this Price List. Specifications are available on our web site.

Old Town Fiberglass, Inc.

767 North Hariton Street
 Orange, CA 92868-4015
 Tel: 714.633.3732
 E-mail: Info@OldTownFiberglass.com
 On-line: Oldtownfiberglass.com

Furnishings

Hudson Bay Stool



Model No.	Diameter	Height	Weight
HBS-A	9"	17"	25
HBS-B	9"	17"	25

Note:

Please contact us if you don't see the shape or size you need –we welcome custom orders. Corresponding planter available. All orders are subject to the Terms and Conditions outlined in this Price List. Specifications are available on our web site.

Old Town Fiberglass, Inc.

767 North Hariton Street

Orange, CA 92868-4015

Tel: 714.633.3732

E-mail: Info@OldTownFiberglass.com

On-line: Oldtownfiberglass.com

Arena Spheres



Model No.	Diameter	Base Diameter	Weight
SPHERE12	12"	6"	4
SPHERE18	18"	6"	12
SPHERE24	24"	6"	17
SPHERE30	30"	6"	26
SPHERE36	36"	6"	32

Note:

Please contact us if you don't see the shape or size you need –we welcome custom orders. Corresponding planter available. All orders are subject to the Terms and Conditions outlined in this Price List. Specifications are available on our web site.

Old Town Fiberglass, Inc.

767 North Hariton Street
Orange, CA 92868-4015
Tel: 714.633.3732
E-mail: Info@OldTownFiberglass.com
On-line: Oldtownfiberglass.com

Pineapple



Officially Licensed Vessel U.S.A. Inc.

Note:

Please contact us if you don't see the shape or size of planter you need—we welcome custom orders. Planter irrigation and custom internal modifications available. All orders are subject to the Terms and Conditions outlined in this Price List. Specifications are available on our web site.

Old Town Fiberglass, Inc.

767 North Hariton Street
Orange, CA 92868-4015
Tel: 714.633.3732
E-mail: Info@OldTownFiberglass.com
On-line: Oldtownfiberglass.com

Pineapple - Designed by David Cressey

Model No.	Outside Dia.	Inside Dia.	Base Dia.	Height	Rim	Weight
APD AP-100	24-1/2"	20-1/2"	14"	20"	1"	23
APD AP-200	36"	33"	21"	28"	1-1/2"	45
APD AP-300	32"	28"	20"	40"	2"	53

Domino - Designed by Malcom Leland

Model No.	Length	Width	Height	Rim	Weight
APD Domino	11"	11"	11"	0-1/2"	3

Contact:

Vessel USA, Inc.

vessel@architecturalpottery.com

619-991-7772

Licensed Designs

Pro/Artisan Collection



Designed By:
Robert Maxwell

Model No.	Outside Dia.	Inside Dia.	Base Dia.	Height	Rim	Weight
RM3025	30"	27"	20"	25"	1"	41

Note:

Please contact us if you don't see the shape or size of planter you need—we welcome custom orders. Planter irrigation and custom internal modifications available. All orders are subject to the Terms and Conditions outlined in this Price List. Specifications are available on our web site.

Old Town Fiberglass, Inc.

767 North Hariton Street
Orange, CA 92868-4015
Tel: 714.633.3732
E-mail: Info@OldTownFiberglass.com
On-line: Oldtownfiberglass.com



Kornegay Design™ Dune Series

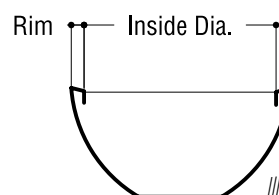
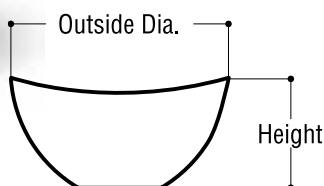
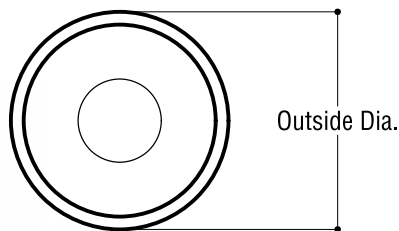


Illustration not to scale

Model No.	Outside Dia.	Inside Dia.	Base Dia.	Height	Rim	Weight
DS3623	36"	31-1/2"	15"	23"	2-1/4"	28
DS3838	38"	28-1/2"	23"	38"	4"	55
DS4432	43-1/2"	37-1/2"	18"	32"	3"	59
DS6040	60"	51"	28"	40"	4"	102

Note:

Please contact us if you don't see the shape or size of planter you need—we welcome custom orders. Planter irrigation and custom internal modifications available. All orders are subject to the Terms and Conditions outlined in this Price List. Specifications are available on our web site.

Old Town Fiberglass, Inc.

767 North Hariton Street
Orange, CA 92868-4015
Tel: 714.633.3732
E-mail: Info@OldTownFiberglass.com
On-line: Oldtownfiberglass.com



Kornegay Design™ Cirque Series

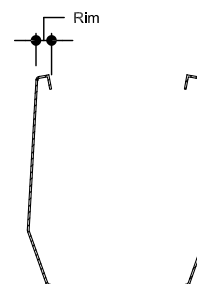
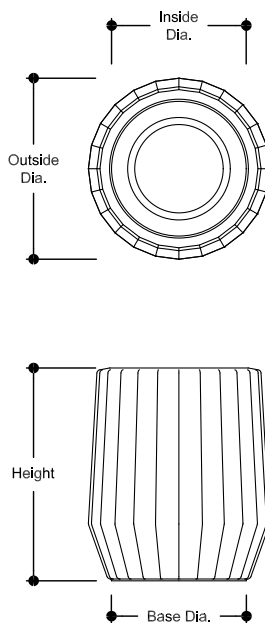


Illustration not to scale

Model No.	Outside Dia.	Inside Dia.	Base Dia.	Height	Rim	Weight
CS-2244	22"	14"	16"	44"	2"	46
CS-2530	25.5"	19"	20"	30"	2"	40
CS-3634	36"	29"	30"	34.5"	2"	72

Note:

Please contact us if you don't see the shape or size of planter you need—we welcome custom orders. Planter irrigation and custom internal modifications available. All orders are subject to the Terms and Conditions outlined in this Price List. Specifications are available on our web site.

Old Town Fiberglass, Inc.

767 North Hariton Street

Orange, CA 92868-4015

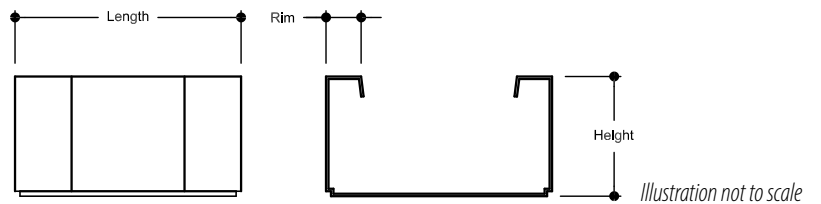
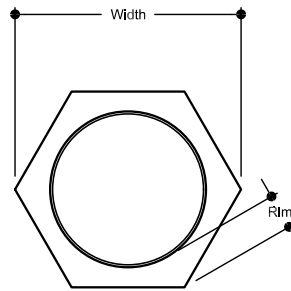
Tel: 714.633.3732

E-mail: Info@OldTownFiberglass.com

On-line: Oldtownfiberglass.com

Freestanding Planters

"BLOC " by Hocker Design Group



Model No.	Outside Dia.	Inside Dia.	Height	Rim	Weight
DHH3418	34"	23"	18"	3"	25
DHH3424	34"	23"	24"	3"	30
DHH3430	34"	23"	30"	3"	35
DHH3436	34"	23"	36"	3"	40
DHH3442	34"	23"	42"	3"	45

Note:

Please contact us if you don't see the shape or size of planter you need—we welcome custom orders. Planter irrigation and custom internal modifications available. All orders are subject to the Terms and Conditions outlined in this Price List. Specifications are available on our web site.

Old Town Fiberglass, Inc.

767 North Hariton Street

Orange, CA 92868-4015

Tel: 714.633.3732

E-mail: Info@OldTownFiberglass.com

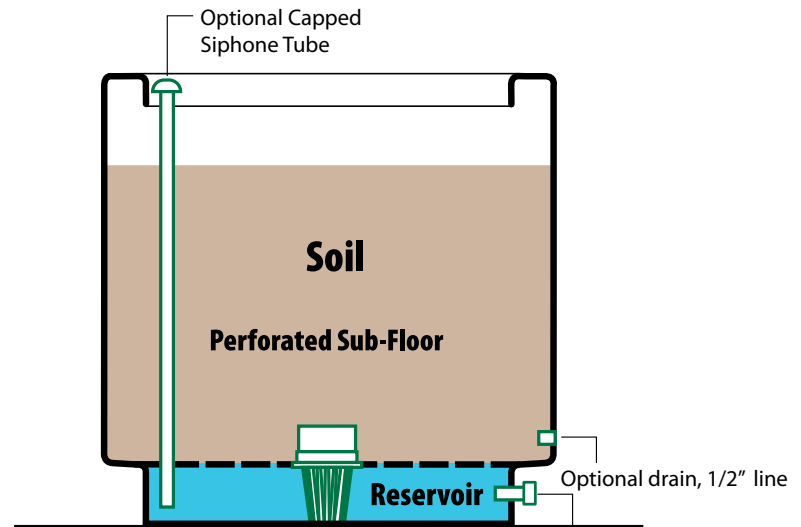
On-line: Oldtownfiberglass.com

LP6 BACK: BLANK

Accessories

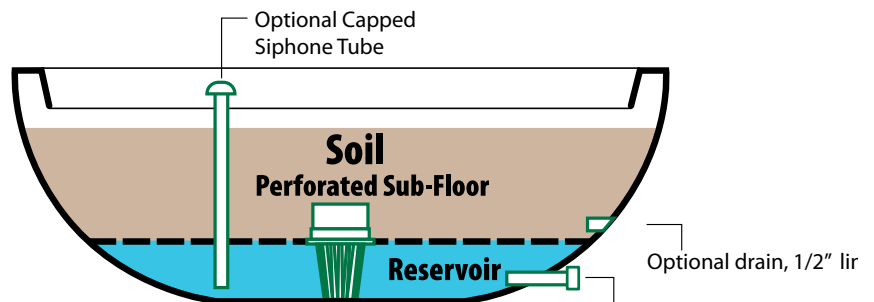
Perforated Sub-Floor Water Reservoir

An internal fiberglass, perforated "sub-floor" is laminated into the planter bottom 3" above the planter floor. This partition allows water to drain into the reservoir below. By watering the plant's root ball, the reservoir acts as an irrigation system. Upon request an optional drain fitting with screw cap is provided for easily controlled drainage. A hose or permanent drain line may be connected to this fitting to ensure that water will not rise above the sub-floor. A siphon tube riser is optional.



Structural support will be incorporated as appropriate to ensure the integrity of the perforated sub-floor.

Drain, 1/2" line with rubber plug or optional threaded plug



Structural support will be incorporated as appropriate to ensure the integrity of the perforated sub-floor.

Drain, 1/2" line with rubber plug or optional threaded plug

Old Town Fiberglass, Inc.

767 North Hariton Street

Orange, CA 92868-4015

Tel: 714.633.3732

E-mail: Info@OldTownFiberglass.com

On-line: Oldtownfiberglass.com

Accessories

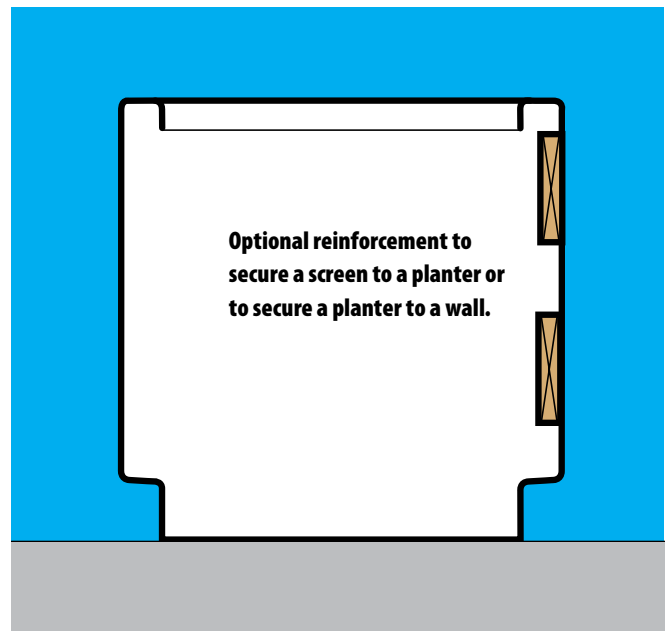
Planter Options

Casters

Heavy-duty swivel casters are optional for many planters- contact Old Town Fiberglass for applicability and up-charge.

Reinforcement

If a planter is to be fastened to a wall or if you wish to fasten a screen to a planter we recommend appropriate internal reinforcement. Please discuss your application with Old Town Fiberglass and we will recommend appropriate structural enhancements. Extra charges will apply and will be quoted by Old Town Fiberglass at time of order.



Note:

Please contact us if you don't see the shape or size of planter you need—we welcome custom orders. Planter irrigation and custom internal modifications available. All orders are subject to the Terms and Conditions outlined in this Price List. Specifications are available on our web site.

Old Town Fiberglass, Inc.

767 North Hariton Street
Orange, CA 92868-4015

Tel: 714.633.3732

E-mail: Info@OldTownFiberglass.com

On-line: Oldtownfiberglass.com

Accessories

Attachment of planters to floors, walls or to other planters.

If a planter is to be fastened to a wall or floor or if you wish to fasten a screen to a planter, appropriate internal reinforcement is recommended. Plywood reinforcing panels laminated into the planter at the time of manufacture will ensure that the mechanical attachment is secure and will not compromise the structural integrity of the planter. See illustrations for typical plywood placement (shown in orange). Please discuss your application with Old Town Fiberglass and we will recommend appropriate structural enhancements. Extra charges will apply and will be quoted by Old Town Fiberglass at time of order.

Old Town Fiberglass recommends that corrosion-resistant (stainless steel or equivalent) bolts, over-sized flat washers and hex nuts be used with corrosion-resistant anchors or expansion shields. Select a bolt diameter appropriate for the size and weight of the planter and the number of bolts used. To prevent leaks and water migration into the plywood panels, all exposed hardware inside the planter must be completely covered and sealed after installation with a flexible, waterproof mastic or equivalent sealant.

Note:

Please contact us if you don't see the shape or size of planter you need—we welcome custom orders. Planter irrigation and custom internal modifications available. All orders are subject to the Terms and Conditions outlined in this Price List. Specifications are available on our web site.

Old Town Fiberglass, Inc.

767 North Hariton Street
Orange, CA 92868-4015

Tel: 714.633.3732

E-mail: Info@OldTownFiberglass.com

On-line: Oldtownfiberglass.com

